

# Parts & Service Manual

**20-50 TON GLB**  
**LOWBOYS**

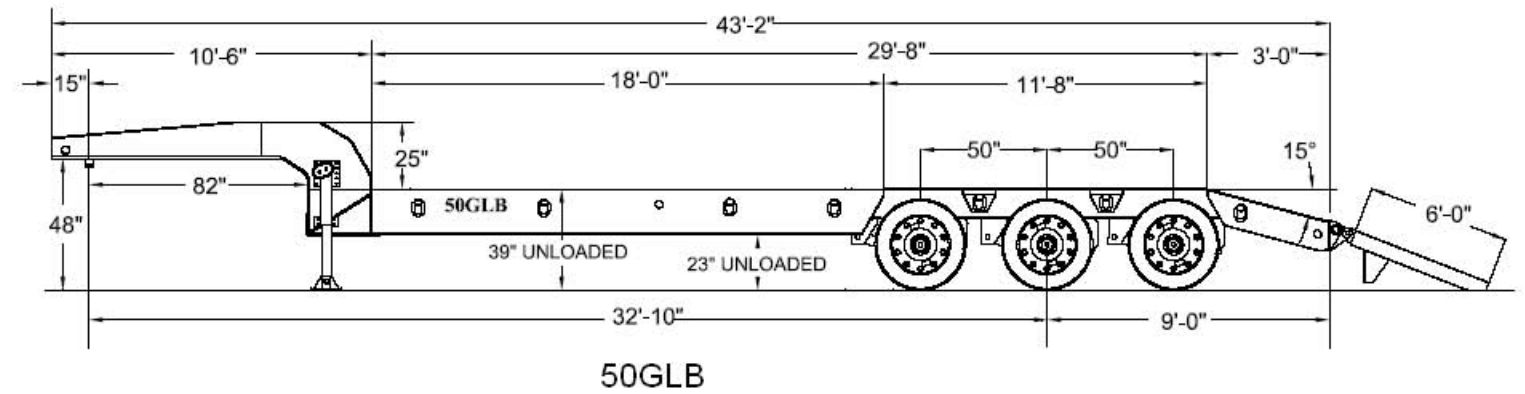
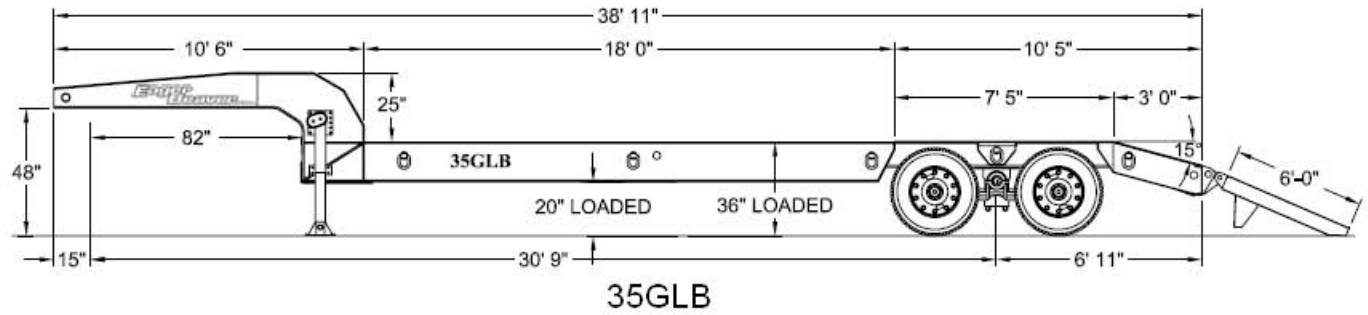
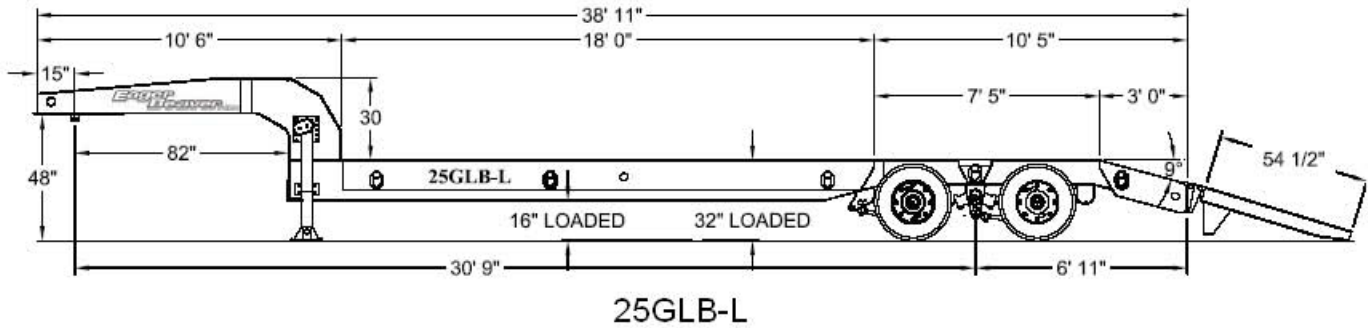
|                                   |            |
|-----------------------------------|------------|
| Standard Model Drawings           | Page 2     |
| Lowboy Decal Arrangement          | Page 3     |
| Lowboy Decal Parts List           | Page 4     |
| Hub and Drum Assemblies           | Page 5-6   |
| D22 Axle Schematic                | Page 7-8   |
| Cam Shaft Determination           | Page 9     |
| Slack Adjuster Determination      | Page 10    |
| Brake Shoes and Brake Springs     | Page 11    |
| Spring Suspensions                | Page 12-14 |
| Air Ride Suspensions              | Page 15-20 |
| Air Systems & ABS                 | Page 21-25 |
| Lights and Wiring Harness         | Page 26-28 |
| Electrical Schematic              | Page 29    |
| Roto-Rings                        | Page 30    |
| Rear Ramps (Spring Assisted)      | Page 31-32 |
| Rear Ramps (Hydraulic)            | Page 33-34 |
| Miscellaneous Parts & Paint Codes | Page 35    |

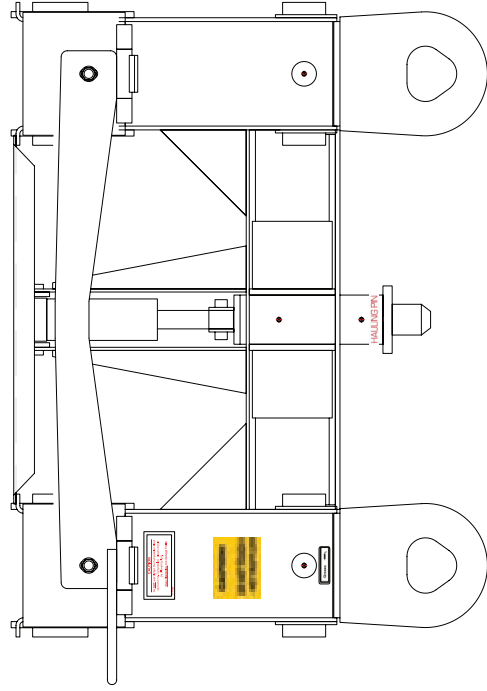
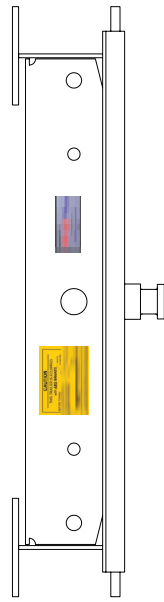
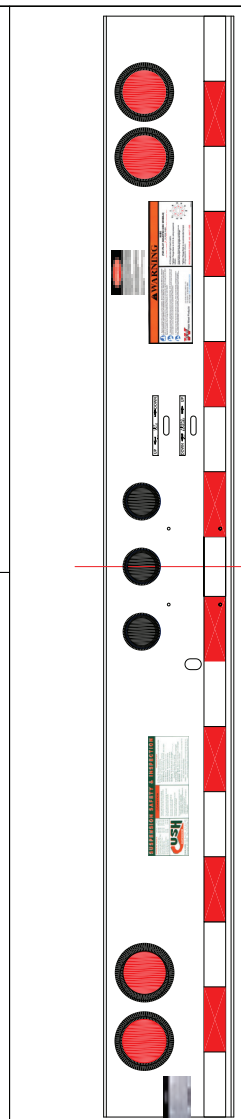
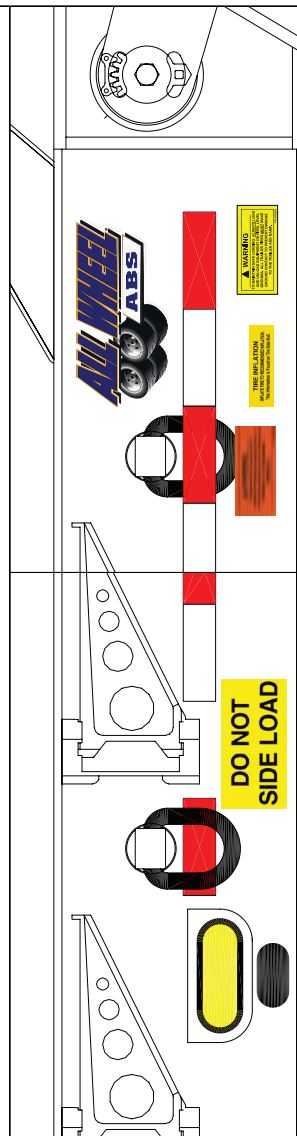
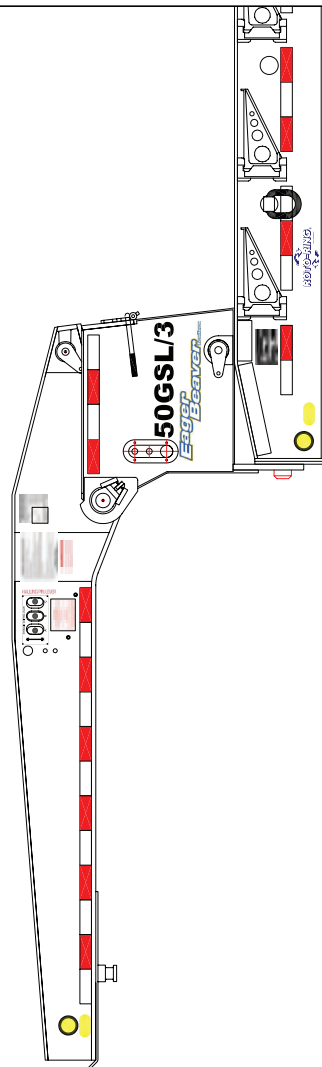
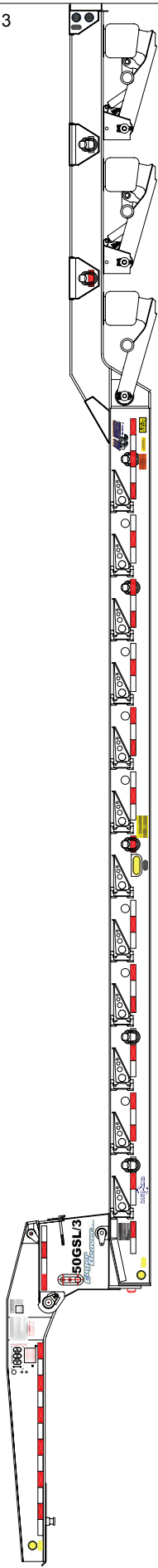
**Parts**  
**(800) 338-7088**

**Customer Service**  
**(800) 722-8803**  
ext: 3251

**Sales**  
**(800) 257-8163**

### Standard Model Drawings



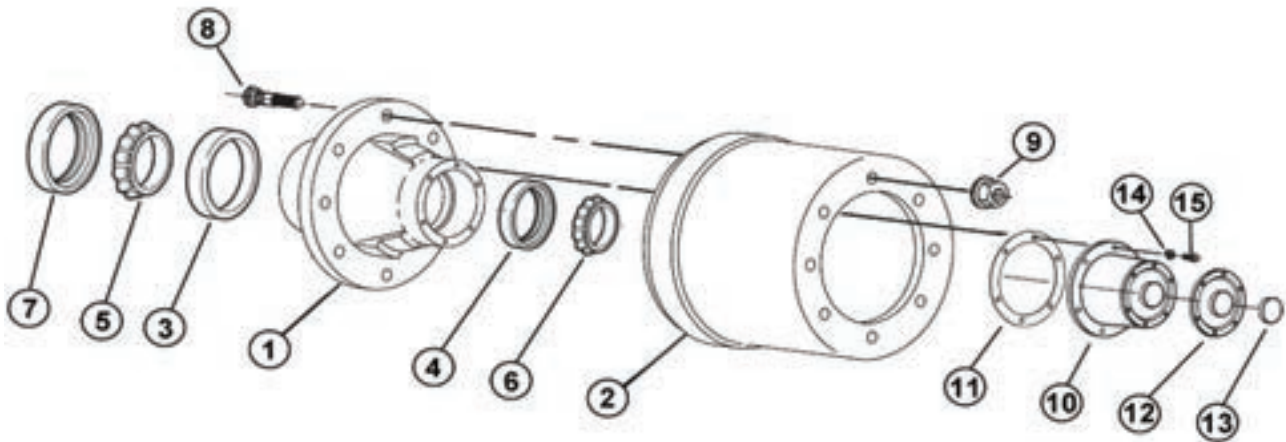


## Eager Beaver Trailers Lowboy Trailer Decals

| <b>PART #</b>   | <b>QTY</b> | <b>DESCRIPTION</b>   |
|---|------------|--|
| 2059016   | 2          | CHECK WHEEL LUGS DECAL   |
| 2060618   | 2          | ROTO-RING™ DECAL   |
| 2062005   | 2          | CAUTION CENTERLINE DECAL   |
| 2060608   | 48         | RED/WHITE CONSPICUITY STRIPING ("DOT STRIPING")                  |
| 2059181   | 2          | "DO NOT SIDE LOAD" DECAL   |
| 2062007   | 1          | WEB WHEEL TORQUE DECAL   |
| 2059162   | 2          | RECOMMENDED TIRE PRESS DECAL                                     |
| 2059370   | 2          | EAGER BEAVER TRAILERS DECAL - LARGE *                            |
| 2062208   | 1          | USA HARNESS DECAL  |
| 2062173   | 1          | REPLACE DAMAGED WOOD DECAL                                       |
| <b><i>With Detachable Hydraulic Gooseneck, Add the Following:</i></b>               |            |  |
| 2059329   | 1          | "HAULING PIN" DECAL  |
| 2059348   | 1          | "HAULING PIN LEVER" DECAL  |
| 2059585   | 1          | WARNING HAULING PIN" DECAL                                       |
| 2062009   | 9          | "GREASE" FITTING DECAL   |
| 2062010   | 1          | "LUBRICATION" DECAL  |
| 2062011   | 1          | HAULING PIN "INTERLOCK WARNING" DECAL                            |
| 2062012   | 1          | COMPRESSION BLOCK NUT TIGHTEN DECAL                              |
| <b><i>With ABS, Add the Following:</i></b>  |            |  |
| 2062003   | 1          | CAUTION TRAILER EQUIPPED W/ABS BRAKES                            |
| 2061051   | 2          | ABS DECAL(ALL WHEEL)   |
| 2062004   | 1          | ABS INDICATOR LAMP INSTRUCTIONS                                  |
| 2062179   | 1          | DANGER SPRING BRAKES   |
| <b>2063521</b>  | <b>KIT</b> | <b>GSL WITH ABS DECAL KIT (Includes All Decals Listed Above)</b> |
| <b><i>Add Trailer Model Decal (specify if "PT" or "BR" Model)</i></b>               |            |  |
| 2059281   | 2          | DECAL "25GLB" WHITE (specify if 35, 50 or 60 GLB)                |
| 2059275   | 2          | DECAL "35GSL" WHITE  |
| 2059277   | 2          | DECAL "50GSL" WHITE  |
| 2062244   | 2          | DECAL "55GSL" WHITE  |
| 2059278   | 2          | DECAL "60GSL" WHITE  |
| <b><i>With Cush Air Ride Suspension, Add the Following:</i></b>                     |            |  |
| 2062245   | 1          | CUSH SUSPENSION TORQUE   |
| 2062143   | 1          | AIRBAG EXHAUST OPERATION   |
| <b><i>With Pony Motor, Add the Following:</i></b>                                   |            |  |
| 2062249   | 1          | NOTICE - FUEL SHUT OFF VALVE                                     |
| 2062008   | 1          | "HOT MUFFLER" DECAL  |
| <b><i>With a Lift Axle (All 50 - 60 Ton Trailers), Add the Following:</i></b>       |            |  |
| 2062142   | 1          | LIFT AXLE OPERATION  |
| <b><i>*For Goosenecks with Fenders or Relief Neck, Replace PN 2059370 with:</i></b> |            |  |
| 2062020   | 2          | EAGER BEAVER TRAILERS DECAL - SMALL                              |

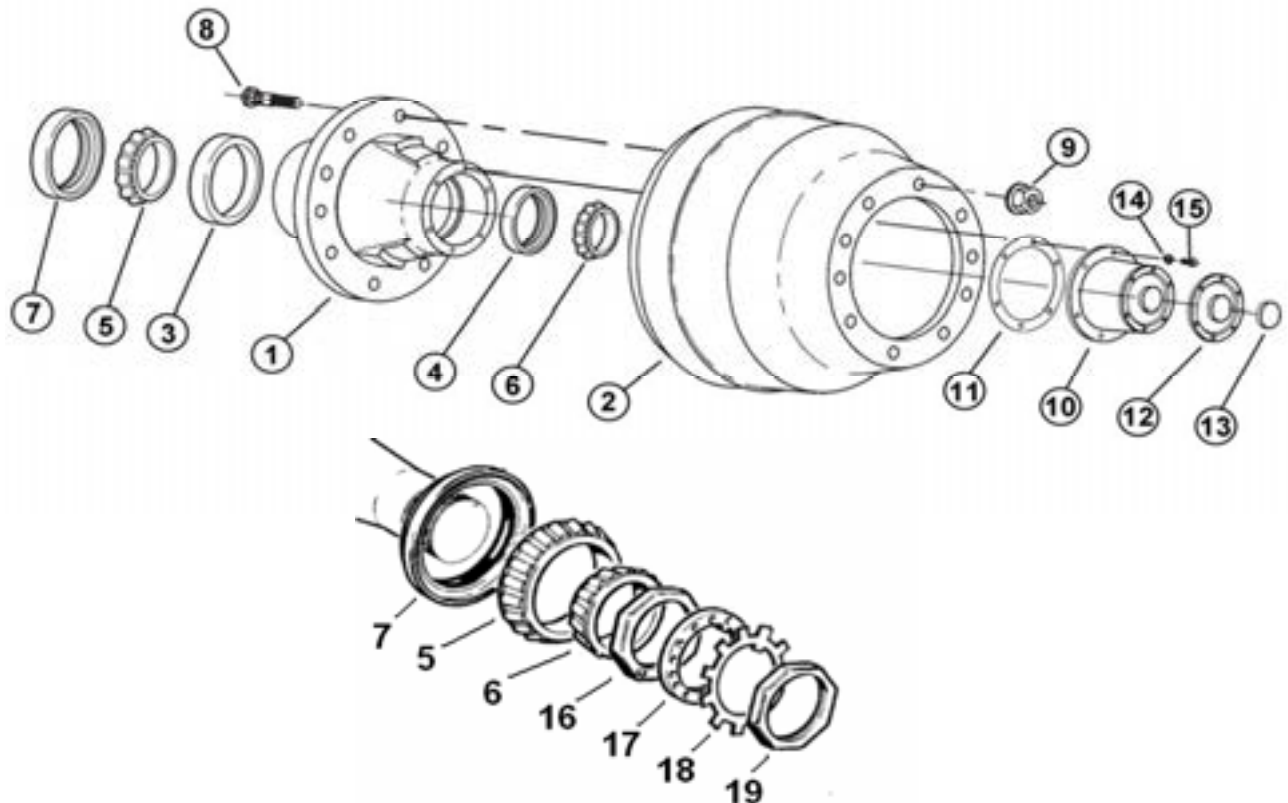
### Webb 8 Stud Hub Piloted Drum

| Item | Nomenclature       | P/N     | Remarks                       |
|------|--------------------|---------|-------------------------------|
| 1    | Hub                | 2062151 | Includes bearing cups & studs |
| 2    | Drum               | 2062152 | Webb 63680F                   |
| 3    | Inner Bearing Cup  | 2058307 |                               |
| 4    | Outer Bearing Cup  | 2058306 |                               |
| 5    | Inner Bearing      | 2058309 |                               |
| 6    | Outer Bearing      | 2058308 |                               |
| 7    | Oil Seal           | 2055828 |                               |
| 8    | Studs              | 2061085 |                               |
| 9    | Flange Nuts        | 2061086 |                               |
| 10   | Oil Cap w/ plug    | 2055089 | Cap, includes window & plug   |
| 11   | Gasket - oil cap   | 2055090 |                               |
| 12   | Oil cap window kit | 2058056 | Window, gaskets, & plug       |
| 13   | vent plug          | 2055749 |                               |
| 14   | Lock Washer        |         | Procure locally               |
| 15   | Machine screw      |         | Procure locally               |

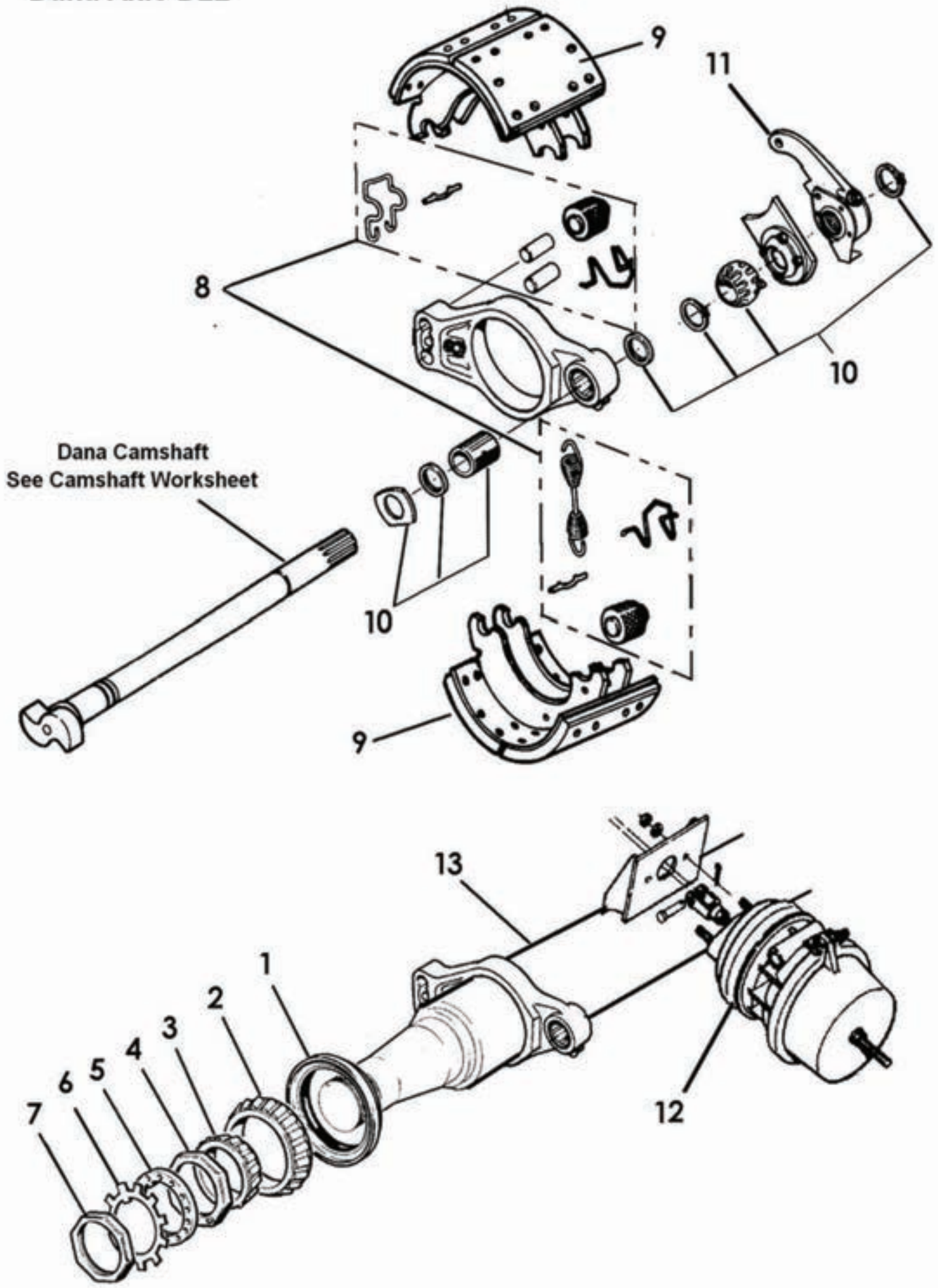


## Webb 10 Stud Hub Piloted

| Item | Nomenclature       | P/N     | Remarks                                     |
|------|--------------------|---------|---|
| 1    | Hub                | 2062290 | Webb 2023 (Includes cups & studs)           |
| 2    | Drum               | 2062291 |   |
| 3    | Inner Bearing Cup  | 2058307 | Webb 66864F                                 |
| 4    | Outer Bearing Cup  | 2058306 |   |
| 5    | Inner Bearing      | 2058309 |   |
| 6    | Outer Bearing      | 2058308 |   |
| 7    | Oil Seal           | 2055828 |   |
| 8    | Studs              | 2061085 |   |
| 9    | Flange Nuts        | 2061086 |   |
| 10   | Oil Cap w/ plug    | 2055089 | Cap, includes window & plug                 |
| 11   | Gasket - oil cap   | 2055090 |   |
| 12   | Oil cap window kit | 2058056 | Window, screws, gasket & plug               |
| 13   | vent plug          | 2055749 |   |
| 14   | Lock Washer        |         | Procure locally                             |
| 15   | Machine screw      |         | Procure locally                             |
| 16   | Inner Spindle Nut  | 2055836 |   |
| 17   | Spindle Lock Nut   | 2058268 |   |
| 18   | Star Washer        | 2058267 |   |
| 19   | Outer Spindle Nut  | 2059229 |   |
|      | Wheel, Steel       | 341014  | 8.25 X 22.5, 10 Stud Hub piloted            |
|      | Axle Beam, 77" Trk | 332101  | Includes, brakes, camshaft, slack adjusters |



# Dana Axle D22



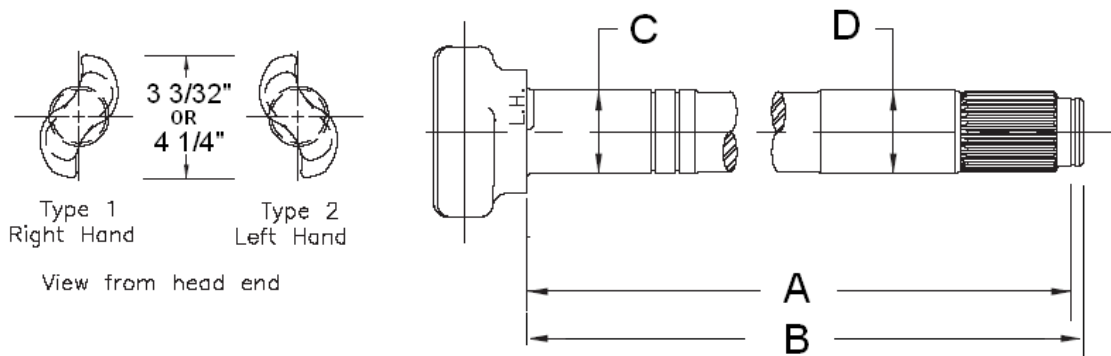
## **Eager Beaver Trailers**

### **Dana D22 Air Brake Axle, Less Hub & Drum**

| Item | Description                                       | Part #  |
|------|---|---------|
| 1    | Seal  | 2055828 |
| 2    | Inner Cone Bearing                                | 2058309 |
| 3    | Outer Cone Bearing                                | 2058308 |
| 4    | Inner Nut   | 2055836 |
| 5    | Inner Lock Washer                                 | 2058268 |
| 6    | Star Washer                                       | 2058267 |
| 7    | Outer Nut   | 2059229 |
| 8    | Brake Repair Kit (One Per Wheel)                  | 2060956 |
| 9    | Brake Pad (Two Per Wheel)                         | 2060455 |
| 10   | Cam Repair Kit (One Per Axle)                     | 2062013 |
| 11   | Slack Adjuster                                    | 2061083 |
| 12   | Air Brake Chamber                                 | 2059596 |
| 13   | Complete Axle                                     | 2060565 |
|      | Less Hub, Drum, Air Chamber                       |         |
|      | (77" Track, 43" Spring Center, 8'6" Wide Trailer) |         |



# Cam Shaft Determination & Ordering Worksheet



- Step 1      Decide whether the cam is a LEFT or a RIGHT hand and whether it is a SMALL (3 3/32") or LARGE (4 1/4") head.
- Step 2      Measure the length of the cam. It is best to provide both the dimensions "A", the distance from head to snap ring groove, and dimension "B", the distance from the head to the end of the cam.
- Step 3      Measure the diameter of the cam at both "C", just behind the head, and "D" just inside the spline.
- Step 4      Finally, determine whether the cam is a 10 spline or 28 tooth spline.

Please fill in the chart below when ordering a cam shaft

**HEAD STYLE**

|                  |                          |
|------------------|--------------------------|
| LEFT HAND SMALL  | <input type="checkbox"/> |
| RIGHT HAND SMALL | <input type="checkbox"/> |
| LEFT HAND LARGE  | <input type="checkbox"/> |
| RIGHT HAND LARGE | <input type="checkbox"/> |

**DIMENSION**

|     |                      |
|-----|----------------------|
| "A" | <input type="text"/> |
| "B" | <input type="text"/> |
| "C" | <input type="text"/> |
| "D" | <input type="text"/> |

**SPLINE**

|    |                          |
|----|--------------------------|
| 10 | <input type="checkbox"/> |
| 28 | <input type="checkbox"/> |

Fax the completed worksheet to Eager Beaver Trailers @ 856-423-0999.

Your Name: \_\_\_\_\_.

Your Voice Tel #: \_\_\_\_\_.

## Eager Beaver Trailers Slack Adjuster Determination & Ordering Worksheet

When ordering Slack Adjusters, please provide the following information:

1. Whether Automatic or Manual
2. Whether adjuster arm (which attaches to air brake chamber) is Straight or Curved
3. Whether it has 10 or 28 Splines
4. Manufacturer name and any part numbers from old slack adjuster

**Circle Applicable Feature on Below Matrix**

|                             |          | Slack Adjuster                            |                    |  |
|-----------------------------|----------|---|--------------------|--|
|                             |          | EB Part #                                 | Application        |  |
| Automatic<br>Begin Oct 1994 | Straight | 10 Spline                                 | 2060873<br>2062263 | C.B. 10-12 Ton<br>Spicer, Haldex 20-25 Ton (pre-'97) * |
|                             |          | 28 Spline                                 | 2060934<br>2060971 | C.B. 10-12 Ton<br>Spicer, Haldex 35-60 Ton *           |
|                             | Curved   | 10 Spline                                 | 2060755            | Spicer, Haldex 20-25 Ton (older) *                     |
|                             |          | 28 Spline                                 | 2061083            | Spicer, Haldex 20-25 Ton *                             |
| Manual<br>Before Oct 1994   | Straight | 10 Spline                                 | 2058077            |  |
|                             | Curved   | 10 Spline                                 | 2059480            |  |
|                             |          | * Spicer Automatic Slack Adjuster Bracket | 2061084            | Not included with Slack                                |

Original Slack Manufacturer:

OEM Part Number on Original Slack

Fax your order to Eager Beaver Trailer Parts: 856-423-0999

Your Name:

Your Voice Telephone:

Eager Beaver Trailers - 548 Swedesboro Ave, Mickleton, NJ 08056  
Telephone 800-338-7088; FAX 856-423-0999

## Eager Beaver Air Brake Shoes - Lowboys

**All 35-60 Ton Lowboys (16 1/2" x 7" Drums) (except pre 1998 35 - 40 Ton)**

|                               |         |
|-------------------------------|---------|
| Shoe (each, need 2 per wheel) | 2060915 |
| Brake Repair Kit (per wheel)  | 2059157 |
| Seal (per wheel)              | 2055828 |

**35 & 40 Ton\* - Pre 1998 (12 1/4" X 7 1/2" Drums)**

|                  | Upto '93 (P) | 94-'96 (PQ) | After '97 (Spicer) |
|------------------|--------------|-------------|--------------------|
| Shoe (each)      | 2055842      | 2060853     | 2060455            |
| Brake Repair Kit | 2058058      | 2060900     | 2060956            |
| Seal (per wheel) | 2055828      | 2055828     | 2055828            |

**25 Ton (12 1/4" X 7 1/2" Drums)**

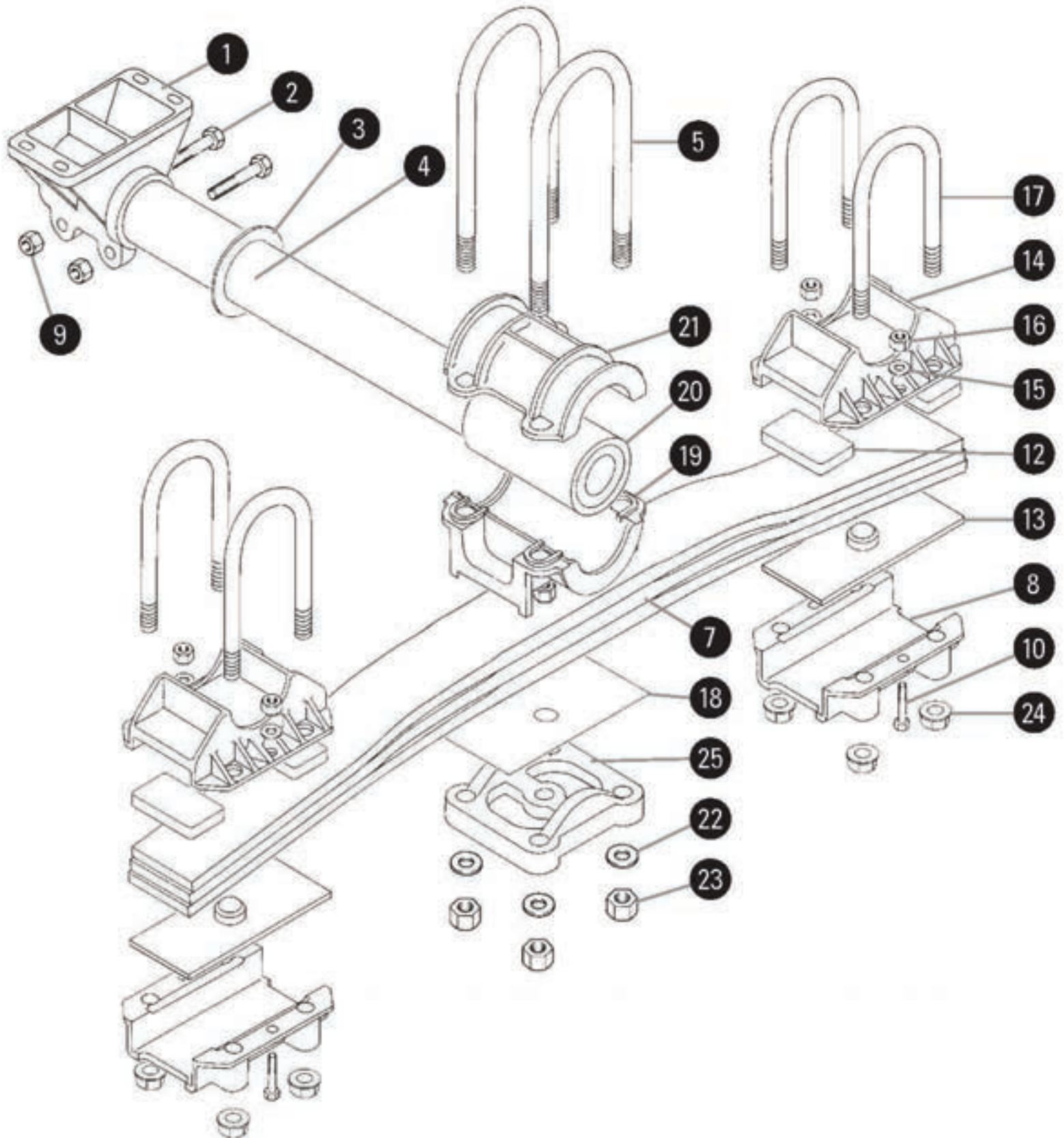
|                  | Upto '93 (P) | 94-'96 (PQ) | After '97 (Spicer) |
|------------------|--------------|-------------|--------------------|
| Shoe (each)      | 2055842      | 2060853     | 2060455            |
| Brake Repair Kit | 2058058      | 2060900     | 2060956            |
| Seal (per wheel) | 2055828      | 2055828     | 2055828            |

|                  |                |                |
|------------------|----------------|----------------|
| P Style          | PQ Style       | Spicer Style   |
| Both Ends Closed | One End Closed | Both Ends Open |

\* Prior to 1998, 12 1/4" x 7 1/2" Drums used on all 35 tons and some 3 axle 40 Tons  
 Between 1998 and 2002, 12 1/4" x 7 1/2" Drums used on Model 35GSL-S4S

# Hutch 900-50 Suspension

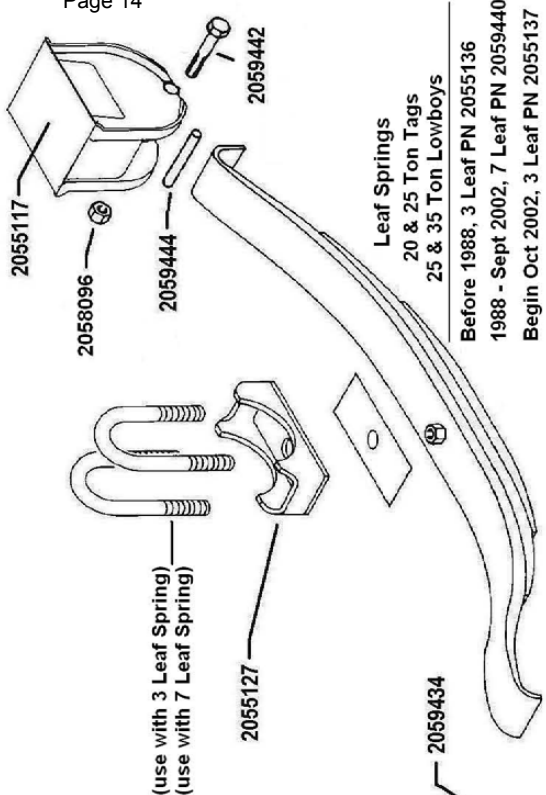
## Underslung Axles & Underslung Trunnion



## HUTCH 900-50 SUSPENSION PARTS LIST

| Item | Hutch PN | Eager<br>Beaver<br>Stocked<br>PNs | Qty<br>Used | Description                               |
|------|----------|-----------------------------------|-------------|---|
| 1    | 10476-03 |                                   | 2           | Trunnion Hanger, 4-1/2"                   |
| 2    | 10376-00 | 2058106                           | 4           | Hex Bolt 3/4" -16 UNF x 4 1/2" GR5        |
| 3    | 895-00   | 2058105                           | 2           | Washer, 7GA x 4 1/32 ID x 5 3/4 OD        |
| 4    | 893-10   |                                   | 1           | Trunnion Tube (42" S.C.) 26-1/8" lg       |
| 5    | 835-04   | 2058100                           | 4           | U-Bolt, Trunnion, 15-3/8"                 |
| 7    | 10055-00 | 2058103                           | 2           | Spring, 7 Leaf (50,000 lbs.)              |
| 8    | 9941-02  | 2058090                           | 4           | Spring End Cap                            |
| 9    | 841-00   |                                   | 4           | Hex Nut, Self Locking 3/4" - 16 UNF       |
| 10   | 9293-00  |                                   | 8           | Hex Bolt, 5/8" -18 UNF x 2" GR5           |
| 12   | 814-00   | 2058091                           | 8           | Rubber Pad - Plain 814-00                 |
| 13   | 10608-00 |                                   | 4           | Adjustment Plate                          |
| 14   | 9938-00  | 2058092                           | 4           | Spring Seat                               |
| 15   | 10273-00 |                                   | 8           | Washer, 1/8" x 21/32 ID x 1 15/16 OD      |
| 16   | 11513-03 |                                   | 8           | Hex Lockrrut 5/8" - 18 UNF                |
| 17   | 10064-02 | 2058093                           | 8           | U-Bolt - Axle, 10-1/2" 10064-02           |
| 18   | 12919-01 |                                   | 2           | Galvanized Liner - .040 x 4.75 x 10.00    |
| 19   | 891-00   |                                   | 2           | Trunnion Hub - Upper Half                 |
| 20   | 890-00   | 2058104                           | 2           | Rubber Bushing, Trunnion Hub              |
| 21   | 892-00   | 2058099                           | 2           | Trunnion Hub - Lower Half                 |
| 22   | 837-00   |                                   | 8           | Washer, 1/8" x 1 1/4 ID x 2 1/4 OD        |
| 23   | 836-00   | 2058101                           | 8           | Hex Nut, 1 1/8" -12 UNF x 1 1/2 HI        |
| 24   | 10562-00 | 2060165                           | 16          | Flange Nut Self Locking 1-14 UNS 10562-00 |
| 25   | 820-00   | 2058097                           | 2           | Spring Clamp Plate                        |

**Hutch 9700 Suspension - used After 1992**  
**Hutch 7700 Suspension - used Before 1992**

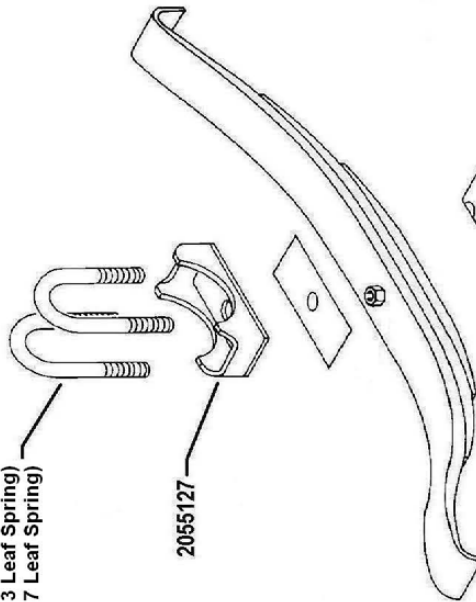
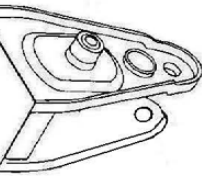
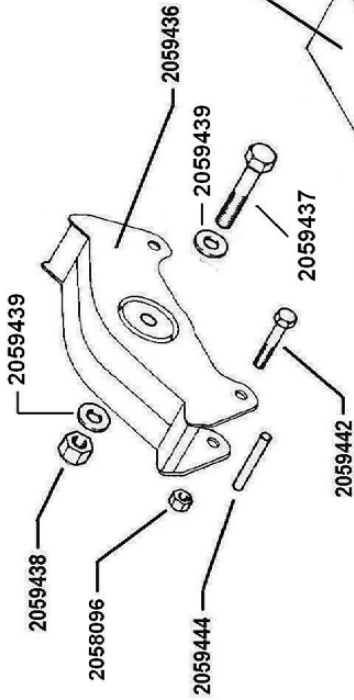
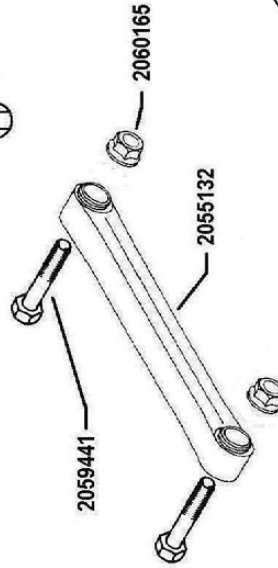
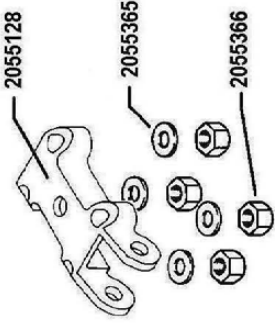
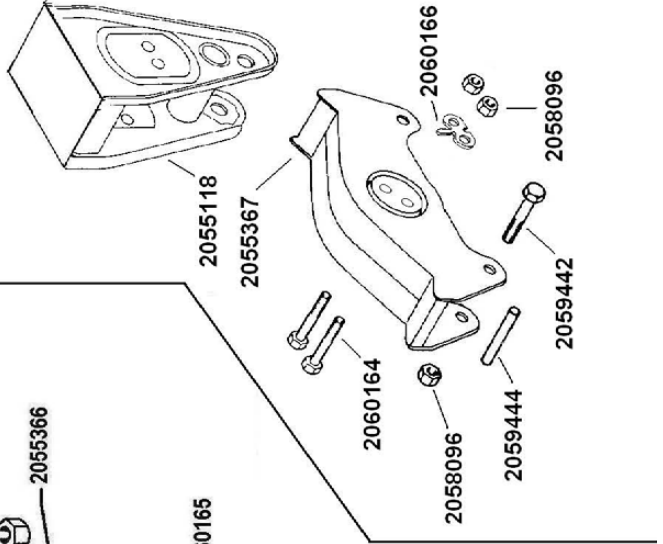


**Leaf Springs**  
20 & 25 Ton Tags  
25 & 35 Ton Lowboys

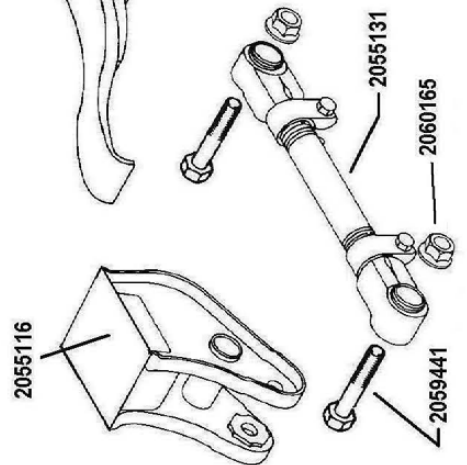
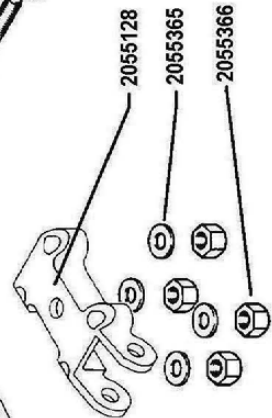
Before 1988, 3 Leaf PN 2055136  
1988 - Sept 2002, 7 Leaf PN 2059440  
Begin Oct 2002, 3 Leaf PN 2055137

10-12 Tons  
with Optional Hutch Susp.  
Before June 2008, 3 Leaf PN 2055136  
Begin June 2008, 3 Leaf PN 321116

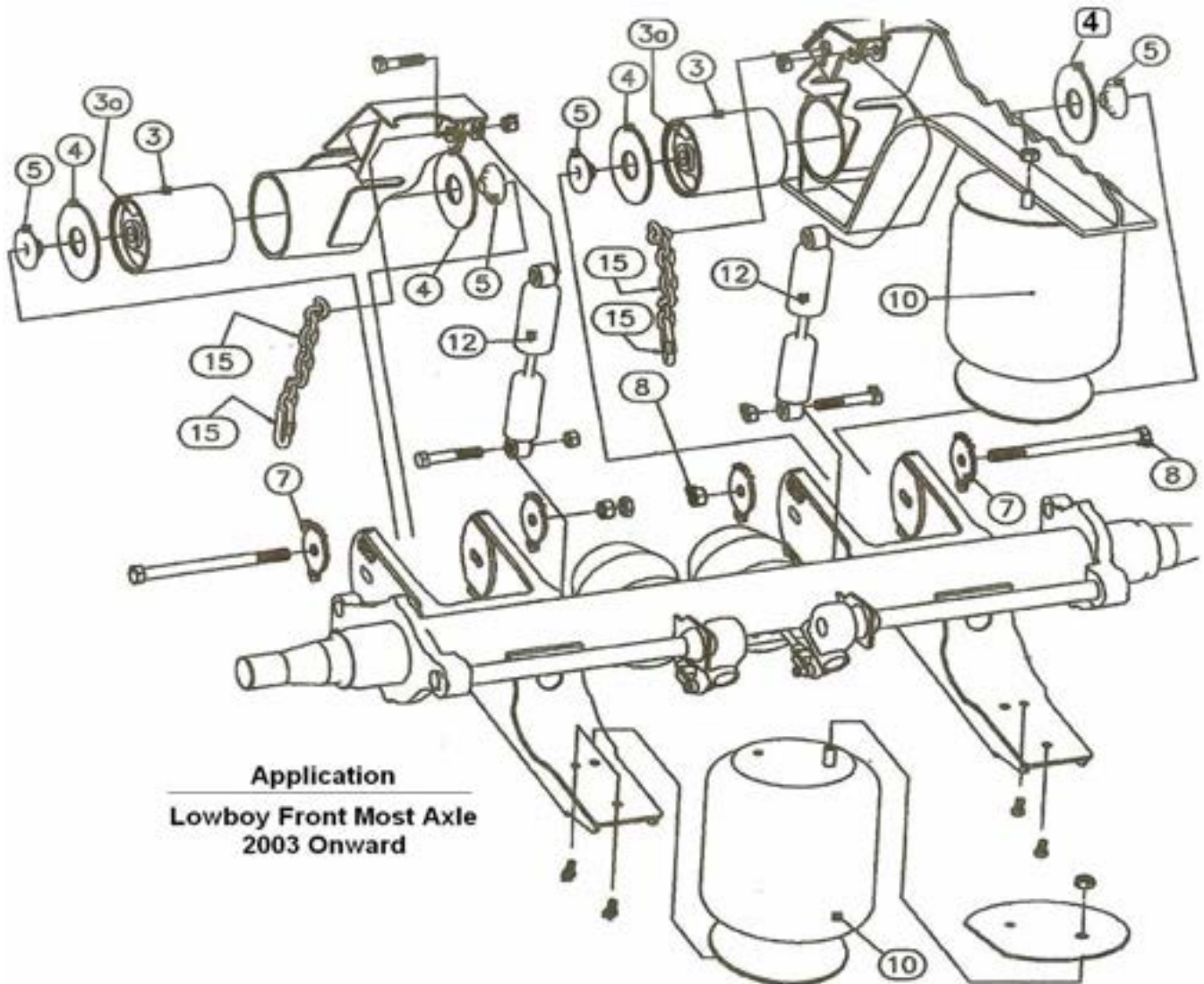
**Hutch 7700  
Equalizer & Hanger**



2055129 (use with 3 Leaf Spring)  
2058198 (use with 7 Leaf Spring)



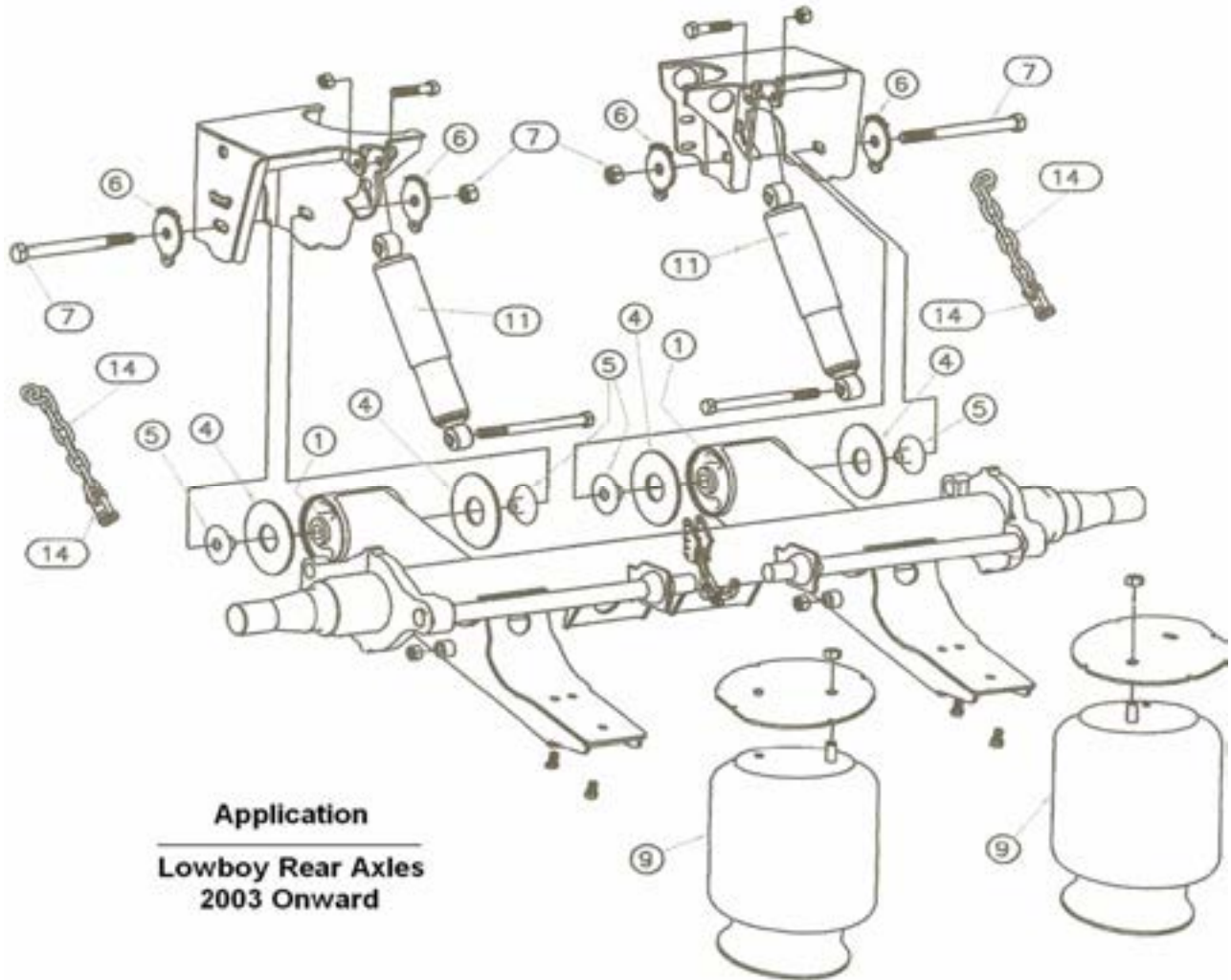
## CUSH CLY-25-209



**Application**  
 Lowboy Front Most Axle  
 2003 Onward

| ITEM | DESCRIPTION              | PART #  |
|------|--------------------------|---------|
| 3    | Sleeve & Bushing Kit     | 2062280 |
| 3a   | Bushing Only             | 2062281 |
| 4    | Wear Washer              | 2062282 |
| 5    | Spacer Collar            | 2062284 |
| 7    | Alignment Gear           | 2062288 |
| 8    | Bolt Kit - LB Front Axle | 2062286 |
| 10   | Air Spring               | 2061077 |
| 12   | Shock Absorber           | 2062170 |
| 15   | Chain Kit w/ Clevis Ends | 2062287 |

## CUSH CLU-25-009



**Application**

**Lowboy Rear Axles  
2003 Onward**

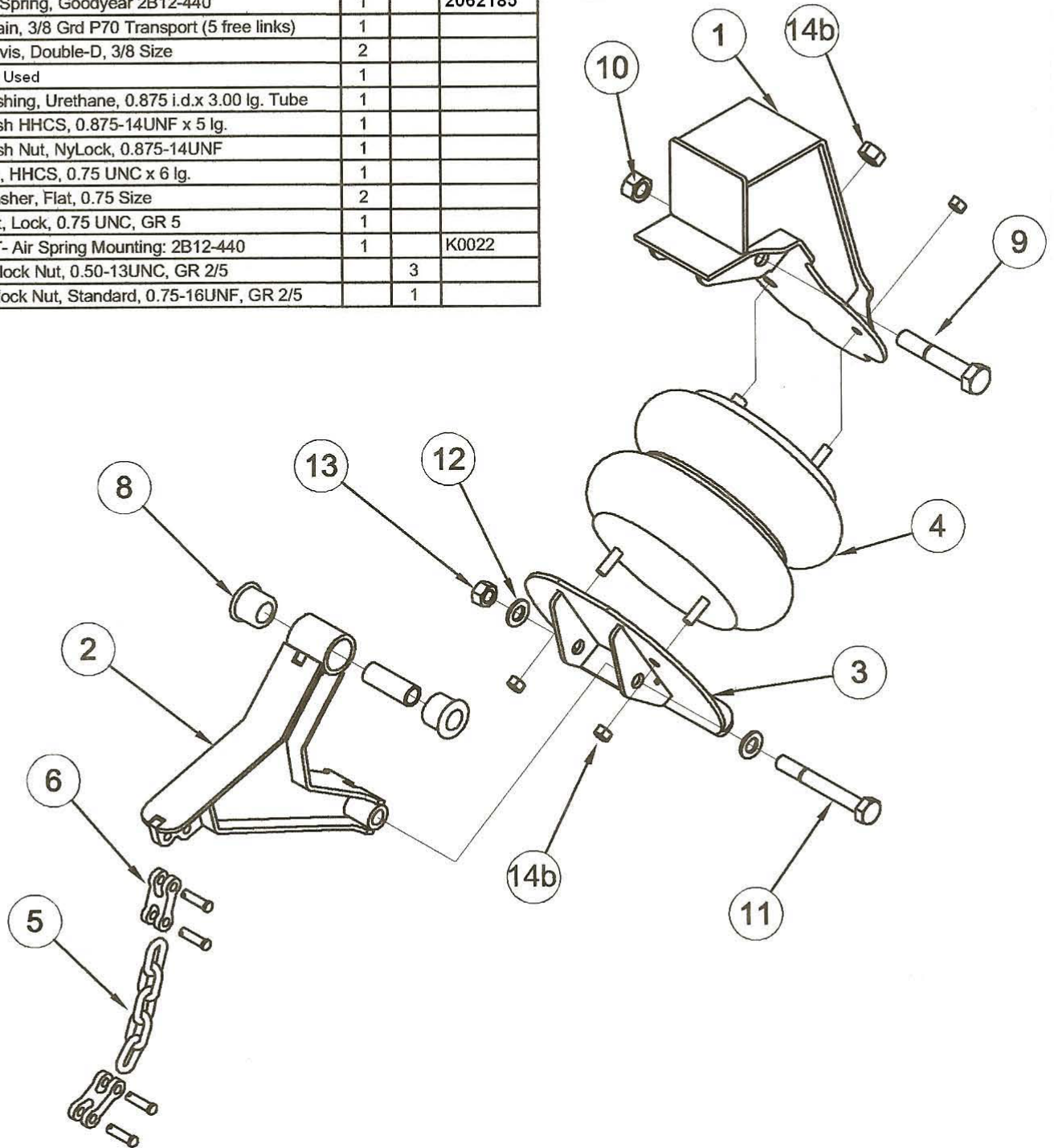
| ITEM | DESCRIPTION              | PART #  |
|------|--------------------------|---------|
| 1    | Bushing Only             | 2062281 |
| 4    | Wear Washer              | 2062282 |
| 5    | Spacer Collar            | 2062283 |
| 6    | Alignment Gear           | 2062288 |
| 7    | Bolt Kit                 | 2062285 |
| 9    | Air Spring               | 2061077 |
| 11   | Shock Absorber           | 2062170 |
| 14   | Chain Kit w/ Clevis Ends | 2062287 |



# CUSH AIR LIFT MODEL CAL-01

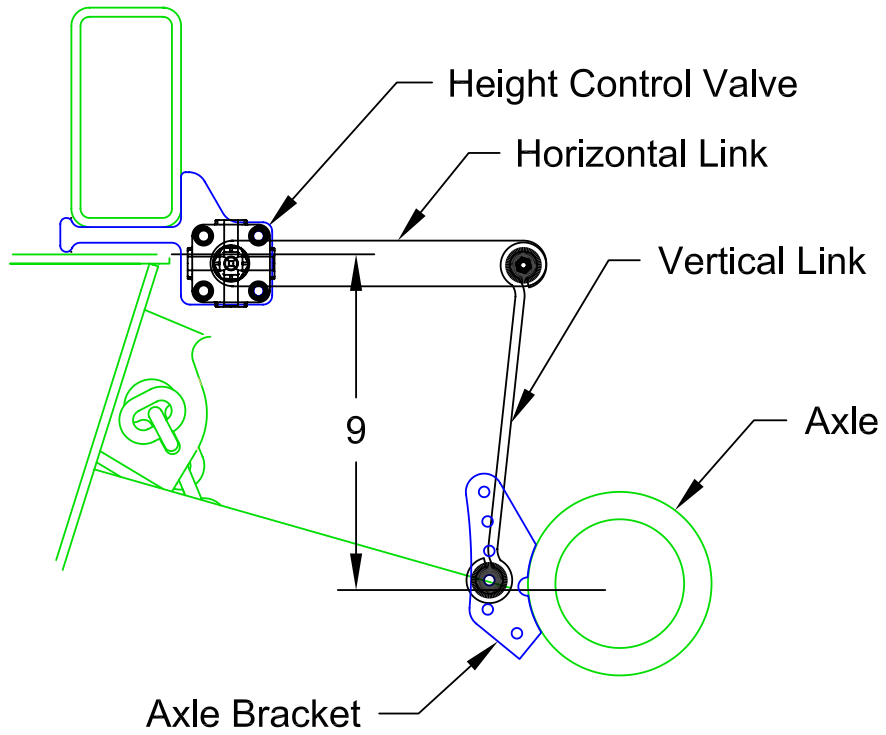
Used on 35 - 60 Ton Lowboys after 2003

| Item | Parts List- Description                      | Qty. | /Qty. | Part No. |
|------|--|------|-------|----------|
| 1    | Hanger Sub-Assembly, 5" x-mber               | 1    |       | W0095    |
| 2    | Crank Sub-Assembly                           | 1    |       | W0096    |
| 3    | Air Spring Pivot Sub-Assembly                | 1    |       | W0097    |
| 4    | Air Spring, Goodyear 2B12-440                | 1    |       | 2062185  |
| 5    | Chain, 3/8 Grd P70 Transport (5 free links)  | 1    |       |          |
| 6    | Clevis, Double-D, 3/8 Size                   | 2    |       |          |
| 7    | Not Used                                     | 1    |       |          |
| 8    | Bushing, Urethane, 0.875 i.d.x 3.00 lg. Tube | 1    |       |          |
| 9    | Bush HHCS, 0.875-14UNF x 5 lg.               | 1    |       |          |
| 10   | Bush Nut, NyLock, 0.875-14UNF                | 1    |       |          |
| 11   | Pin, HHCS, 0.75 UNC x 6 lg.                  | 1    |       |          |
| 12   | Washer, Flat, 0.75 Size                      | 2    |       |          |
| 13   | Nut, Lock, 0.75 UNC, GR 5                    | 1    |       |          |
| 14   | KIT- Air Spring Mounting: 2B12-440           | 1    |       | K0022    |
| 14a  | Figlock Nut, 0.50-13UNC, GR 2/5              | 3    |       |          |
| 14b  | Nylock Nut, Standard, 0.75-16UNF, GR 2/5     | 1    |       |          |

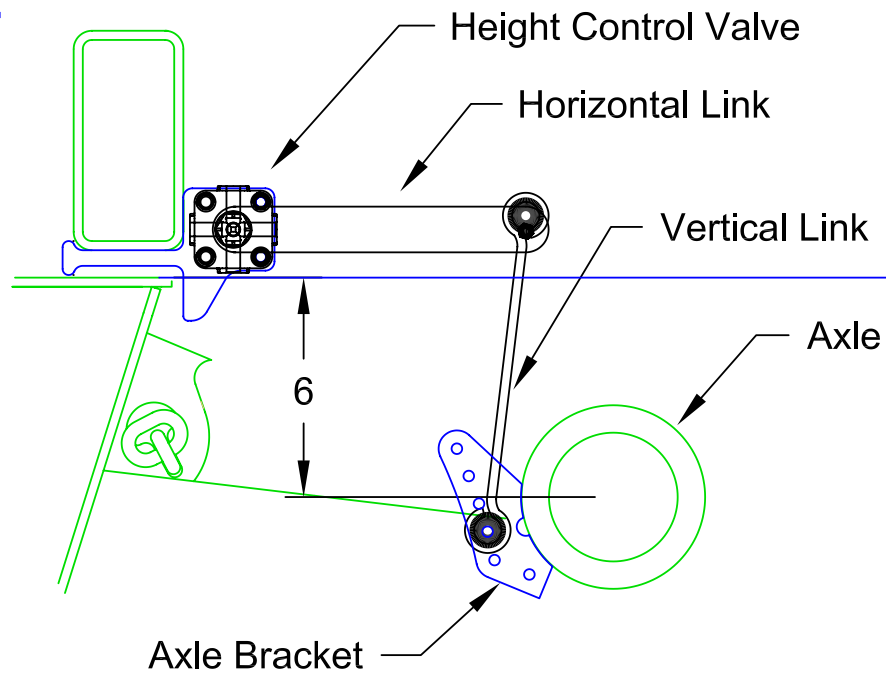


# Ride Height Setting

## Lowboy



## 25XPL



## BARKSDALE RIDE HEIGHT CONTROL VALVE INSTALLATION and ADJUSTMENT PROCEDURES

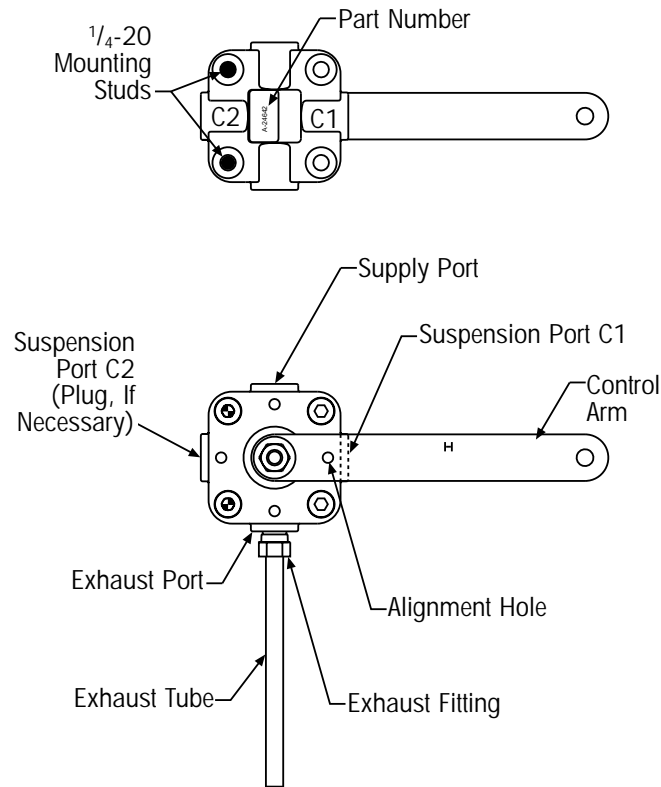


Figure 1. The Barksdale non-delay height control valve

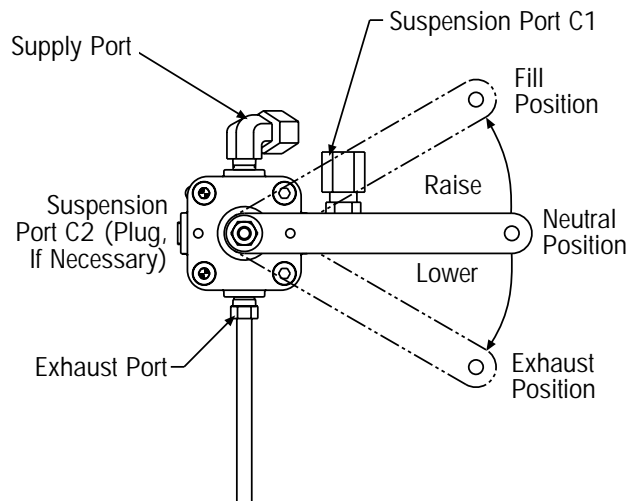


Figure 2. Ride height adjustment

### FITTING INSTALLATION

1. Apply thread sealant onto the fitting threads, unless it is already pre-applied.

**IMPORTANT:** DO NOT APPLY TAPE to the fitting threads; the tape may cause contamination of the air system.

2. Install the supply and suspension fittings on the height control valve.

**IMPORTANT:** DO NOT OVERTIGHTEN fittings onto the height control valve. Overtightening the fittings may damage the valve body.

### VALVE MOUNTING/AIR LINE ATTACHMENT

**IMPORTANT:** Before installing the height control valve, please review the drawings in the height control valve kit in order to determine the proper mounting and assembly.

1. When tightening the lock nuts on the height control valve mounting studs, **DO NOT BACK OUT** the studs from the height control valve body.

**IMPORTANT:** Loosening the studs may cause the height control valve to leak.

2. Ports C1 and C2 on the forward and rear face of the height control valve are the suspension ports. Attach the air line(s) from the air springs to the C1 and/or C2 port(s) (Figure 1).
3. When using only one suspension port, plug the unused port with the 1/4-inch NPT pipe plug provided in the height control valve kit.
4. Attach air supply line from the pressure protection valve to the supply port on the top of the height control valve (Figure 1).
5. Install the exhaust fitting into the exhaust port (Figure 1).
6. Tighten all the lines.

### RIDE HEIGHT ADJUSTMENT

1. Determine recommended ride height by locating and reading the information on the identification tag; it is on the suspension trailing arm.
2. If necessary, rotate the control arm for the height control valve up to raise or down to lower the axle until the distance between the suspension mounting surface and the axle center matches the recommended suspension ride height (Figure 2).

**IMPORTANT:** After setting the ride height, the control arm must remain in the neutral position.

3. Insert the wooden centering dowel into the control arm alignment hole and engage into the housing (Figure 1).

# Cush Air Ride Valves

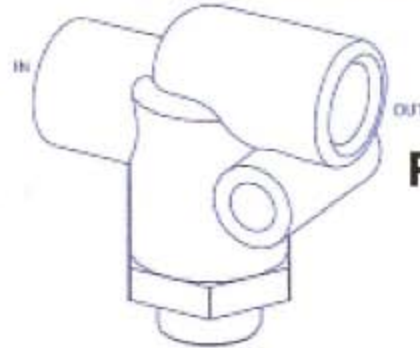
August 2003 Onward

## Automatic Height Control Valve

Part No. 2062166



## Brake Protection Valve



Part No. 322139  
2062091

## Toggle Switch Valve \*



Part No. 322132  
2062082

## Pilot Valve \*



Part No. 322133  
2060824

## Quick Release Valve \*



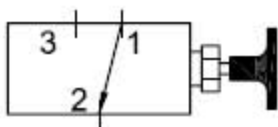
Part No. 322135  
2062021

## Pressure Regulator Valve (Set at 70 P.S.I.)

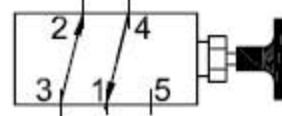


Part No. 322129  
2062140

## Push-Pull Valves \*\*



3-Port PN 322130  
2062265



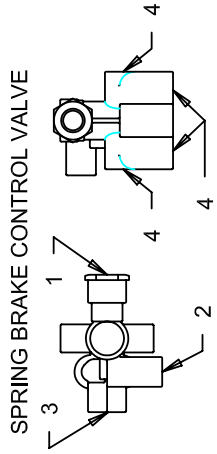
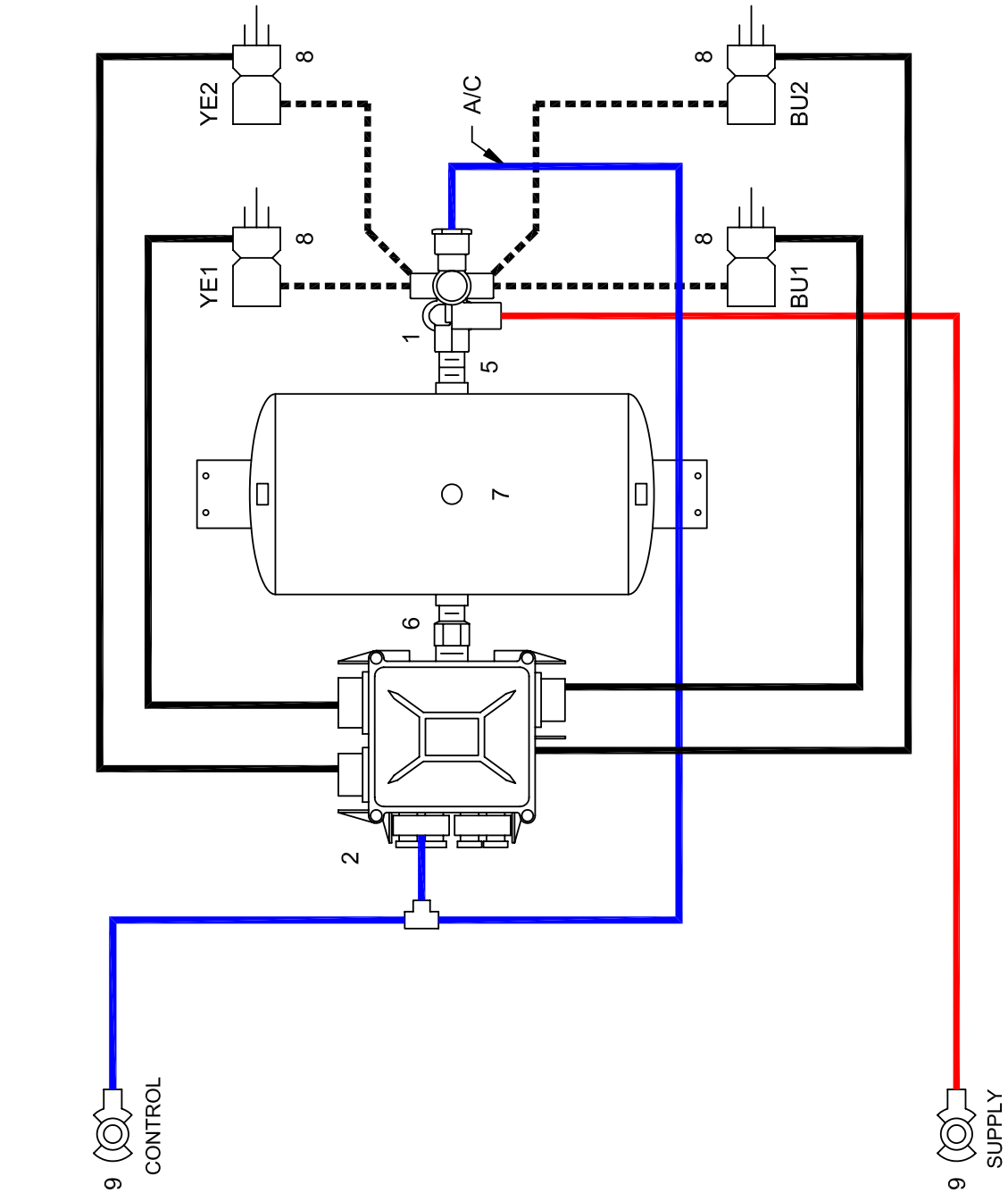
5-Port PN 322128  
2062264

Not Shown - Adjustable Pressure  
Regulating Valve PN 322144

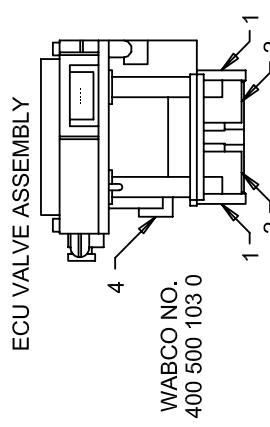
\* Used until Sept 2006

\*\* Begin Oct 2006 (replaced toggle, quick release and pilot valve)

# 4S-2M Air System Schematic



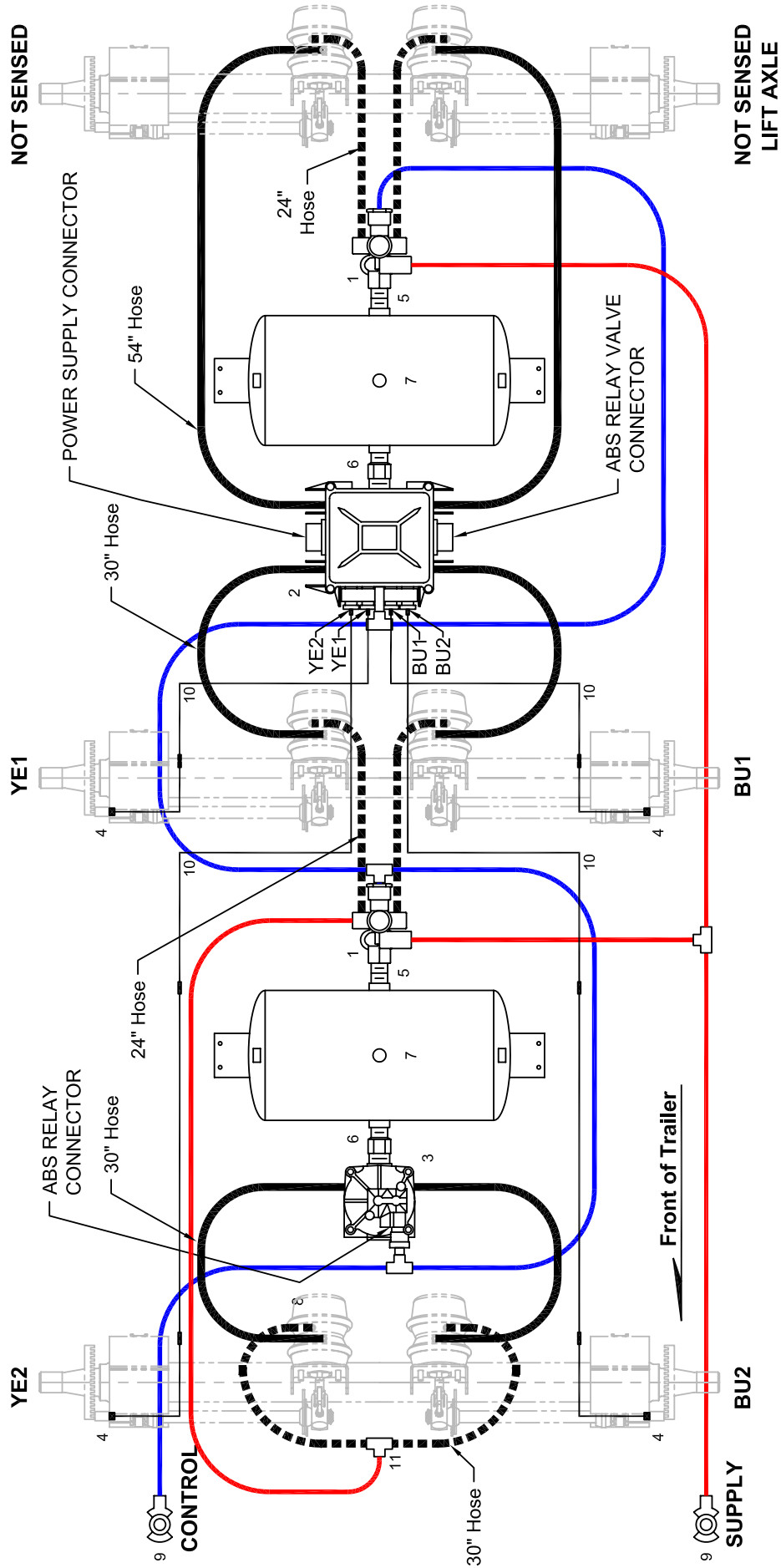
- SEALCO NO. 110800
1. CONTROL PORT (1)-3/8 N.P.T.
  2. SUPPLY PORT (1)-3/8 N.P.T.
  3. RESERVOIR PORT (1)-1/2 N.P.T.
  4. DELIVERY PORT (4)-3/8 N.P.T.



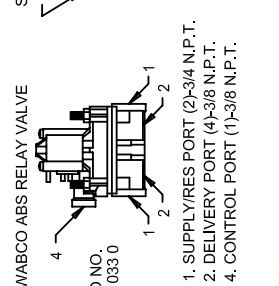
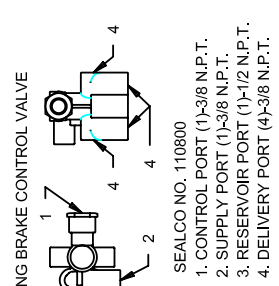
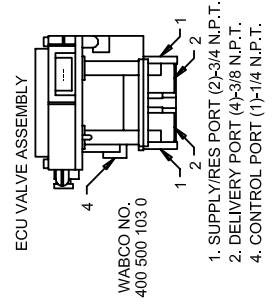
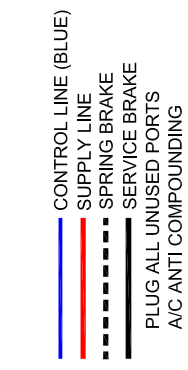
1. SUPPLY/RES PORT (2)-3/4 N.P.T.
2. DELIVERY PORT (4)-3/8 N.P.T.
4. CONTROL PORT (1)-1/4 N.P.T.

- CONTROL LINE (BLUE)**
  - SUPPLY LINE (RED)**
  - SPRING BRAKE (DASHED)**
  - SERVICE BRAKE (SOLID)**
- PLUG ALL UNUSED PORTS  
A/C ANTI COMPOUNDING**

# 4S-3M Air System Schematic for Tri-Axle Lowboy with Lift Third



| Item | Description            |
|------|------------------------|
| 1    | Spring Brake Valve     |
| 2    | ECU ABS Valve          |
| 3    | ABS Relay Valve        |
| 4    | Wheel Sensors          |
| 5    | 3/4" x 3/4" Nipple     |
| 6    | 3/4" x 1/2" Nipple     |
| 7    | 2850 Culin Air Tank    |
| 8    | Air Brake Chambers     |
| 9    | Glad-hands             |
| 10   | Sensor Extension Cable |
| 11   | Mounting Tee           |



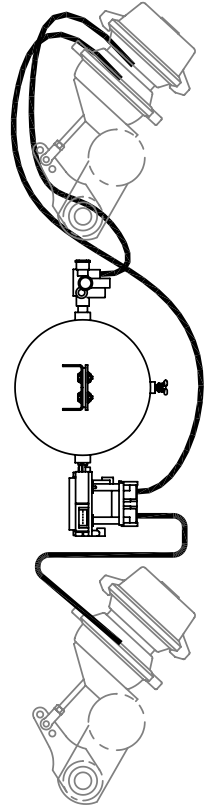
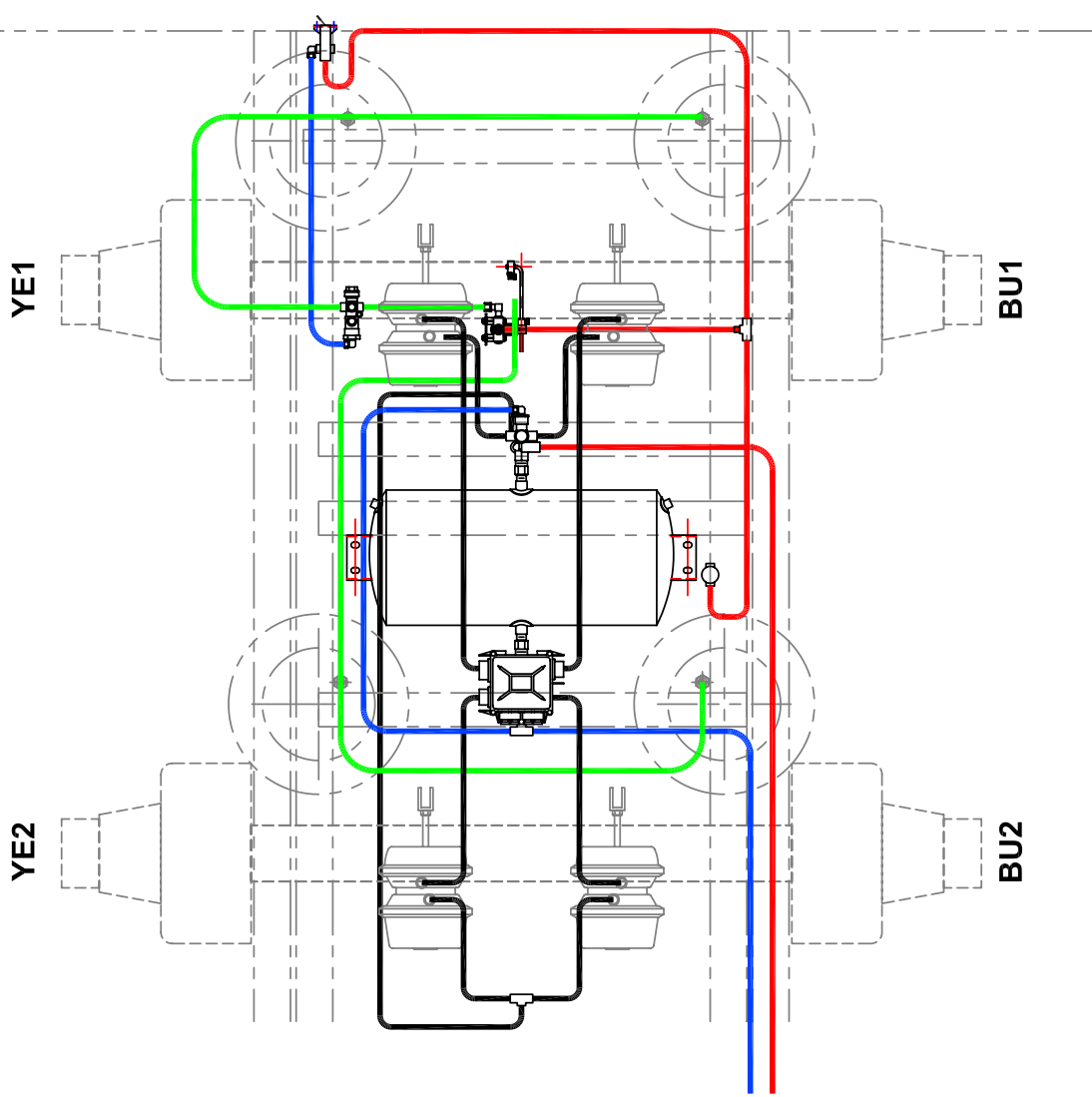
**Note:** ALL air lines and hoses must be properly routed and secured, so to prevent contact with any surfaces or each other.



General Engines Co., Inc., 14935 Highway 27, Lake Wales, Florida, USA, 33859, 14994274163  
This drawing and specifications are the property of General Engines Co., Inc. All Eager Beaver Trailers  
General Engines Co., Inc. reserves the right to change designs, specifications or materials without notice and  
without incurring any obligation to such changes.

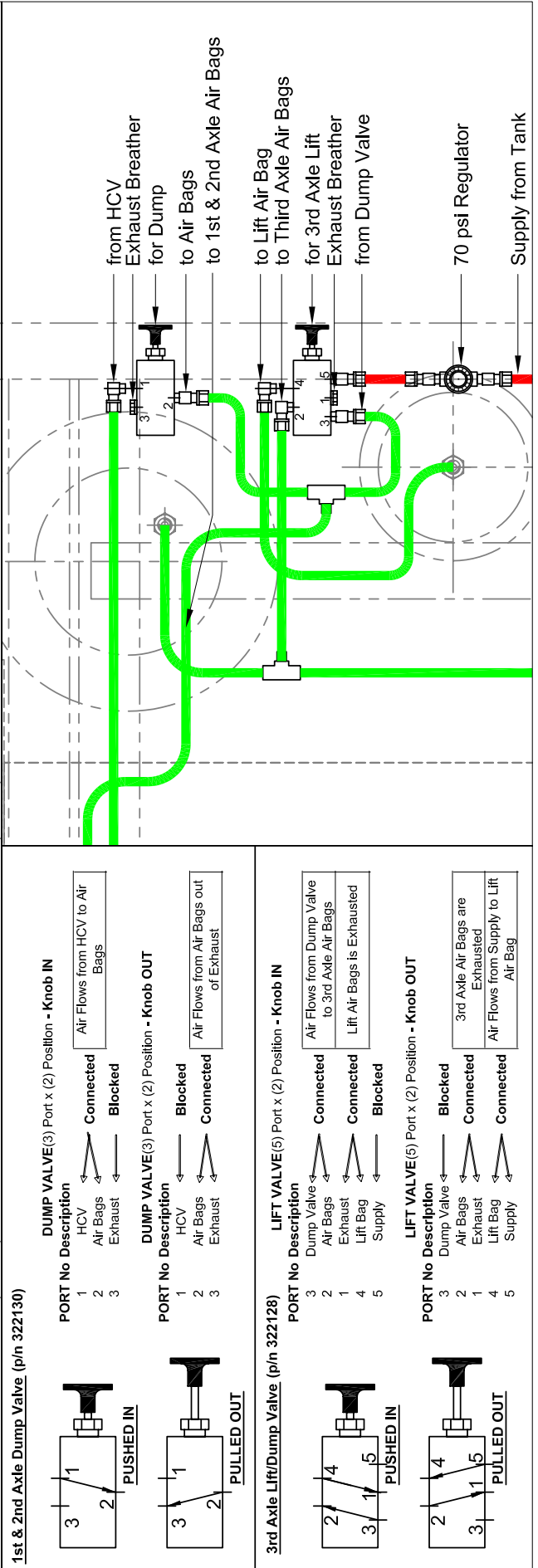
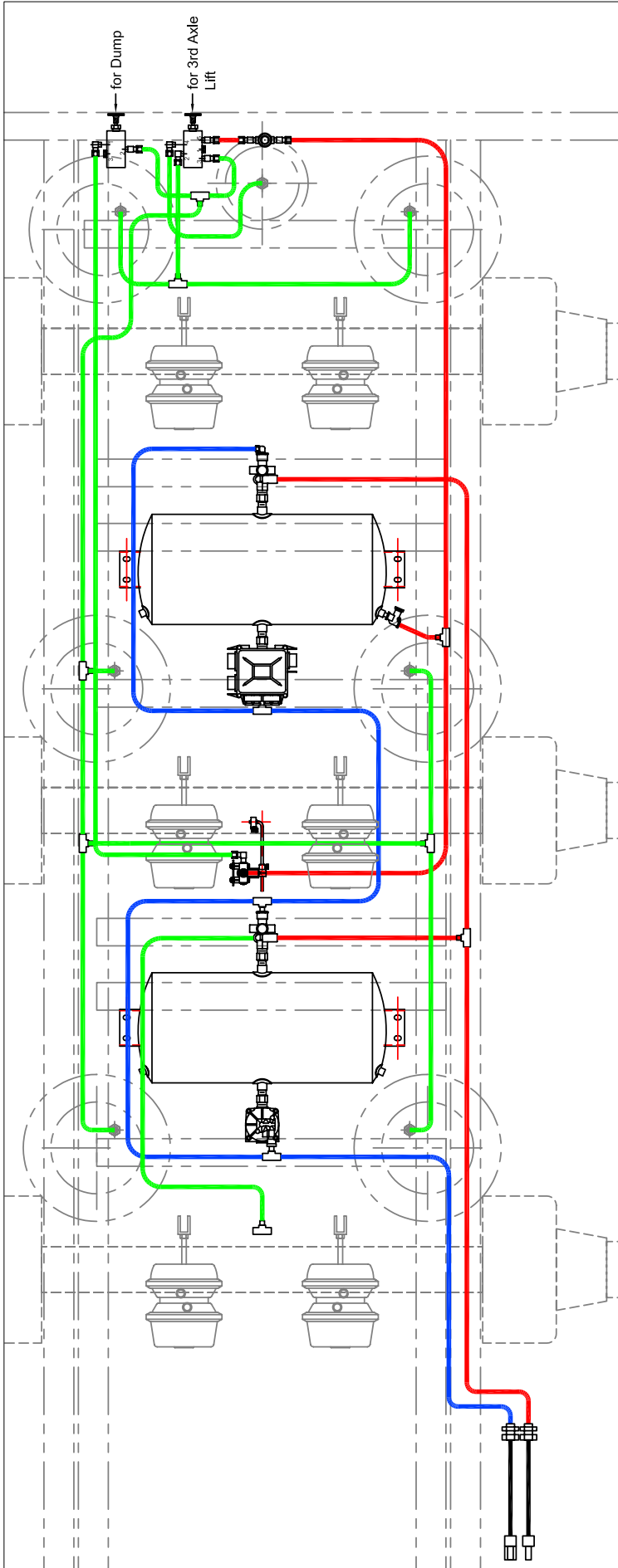
# Lowboy Tandem Axle Air System with ABS and Dump Valve Option

| Item No | Part No | Qty | Description                    |
|---------|---------|-----|--------------------------------|
| 1       | 451022  | 4   | 4497130180 6'SENSOR EXT CBLE   |
| 2       | 451007  | 1   | 4005001030 (2&3 AXLE ECU),ESII |
| 3       | 445850  | 1   | DECAL -DANGER,SPRING BRAKES    |
| 4       | 440043  | 1   | "ABS INDICATOR LAMP INSTRUCTN" |
| 5       | 440042  | 2   | "ALL-WHEEL ABS"6.125X12.125    |
| 6       | 440041  | 1   | "CAUTION TRLR EQPT W/ABS BRKS" |
| 7       | 423002  | 1   | 2.5"GROMMET PET#B142-18        |
| 8       | 420001  | 2   | AIRTANK MOUNTING PAD #1068     |
| 9       | 411821  | 8   | 1/2ID HOSE SEPARATOR           |
| 10      | 411675  | 2   | 1/4-20X 1 ZN TYPE F HEX/WASH   |
| 11      | 411626  | 2   | 10-32X3/4 PANHD SCRW TYPE F ST |
| 12      | 411553  | 10  | 24" TIE WRAP #CT24HD           |
| 13      | 411501  | 8   | 3/8 STD FLAT WASHER,ZN         |
| 14      | 411471  | 2   | 1"SAE FLAT WASHER PLATED       |
| 15      | 411402  | 2   | 3/8 RBC CLAMP                  |
| 16      | 411321  | 4   | 3/8-16 NYLOC LOCKNUT           |
| 17      | 411121  | 4   | 3/8-16X1.25 HEXHD CPSCRW GR5   |
| 18      | 391311  | 1   | ABS 2.5" AMBR MARKERLITE       |
| 19      | 382224  | 1   | MOUNTED TEE'S (SEALCO)         |
| 20      | 382163  | 1   | 3/4 HEXHD PLUG (BRASS)         |
| 21      | 382162  | 4   | 3/8 SQHD PLUG (BRASS)          |
| 22      | 382156  | 1   | 1/2"X 3/4"HEX NIPPLE           |
| 23      | 382154  | 1   | 3/8"X 1/4"HEX NIPPLE (BRASS)   |
| 24      | 382106  | 4   | 3/8 90°STRT ELBOW,BRASS,3400X6 |
| 25      | 382002  | 3   | 3/8T-3/8M SWVL 90 ELBOW (QCAB) |
| 26      | 382002  | 2   | 3/8T-3/8M SWVL 90 ELBOW (QCAB) |
| 27      | 382001  | 1   | 3/8T-1/4M SWVL 90 ELBOW (QCAB) |
| 28      | 381910  | 2   | 54" 3/8 AIR BRAKE HOSE ASSY    |
| 29      | 381901  | 6   | 24" 3/8 AIR BRAKE HOSE ASSY    |
| 30      | 381879  | 45  | 3/8OD NYLON BRAKE TUBING-BLUE  |
| 31      | 381878  | 60  | 3/8OD NYLON BRAKE TUBING- RED  |
| 32      | 381302  | 1   | SPRING BRAKE VLV,SEALCO 110800 |
| 33      | 381211  | 1   | REMOTE DRAIN VLV (350002-048)  |
| 34      | 381202  | 1   | AIR TANK (2850) #HT-1242 2PORT |
| 35      | 381153  | 1   | 3/4"HD NIPPLE,SEALCO #6006     |
| 36      | 381101  | 2   | 3/8FPT3/8FPT BLKHD CUP (STEEL) |
| 37      | 381053  | 1   | 3/8T-1/4M SWVL BRNCH TEE(QCAB) |
| 38      | 381031  | 1   | 3/8T-3/8M STRAIGHT CONN (QCAB) |
| 39      | 371504  | 1   | 3/8FNPT AIR/QD NIPPLE          |
| 40      | 371503  | 1   | 3/8FNPT AIR/QD COUPLER         |



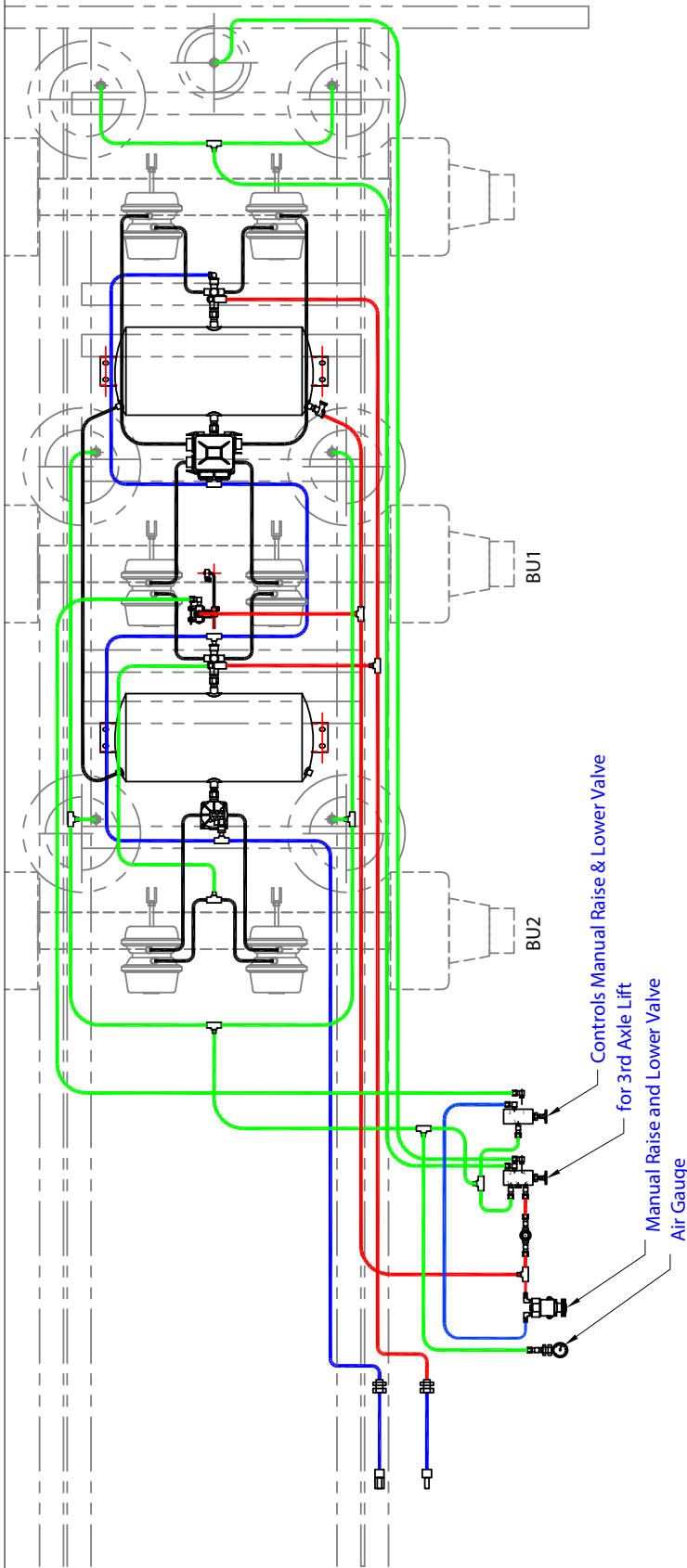
General Engines Co., Inc., 1485 Highway 27, Lake Wales, Florida, USA, 33859, 40962574163  
 This drawing and specifications are the property of General Engines Co., Inc. and Eager Beaver Trucks and may not be reproduced, copied or used in any fashion without express written permission. Also, General Engines Co., Inc. assumes no responsibility for modification of this drawing without notice and without incurring any obligation to such changes.

# Tri-Axle Lowboy Air System with Push/Pull Valves (NO Toggle or Pilot Valves)

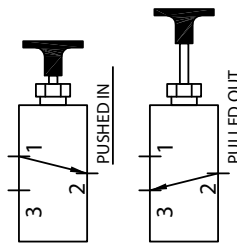




Tri-Axle Lowboy Air System with Push/Pull Valves ( NO Pilot Valves) and Manual Raise & Lower



1st & 2nd Axle Dump Valve (p/n 322130)



DUMP VALVE (3) Port x (2) Position - Knob IN

| PORT No | Description | Connected | Blocked   |
|---------|-------------|-----------|-----------|
| 1       | HCV         | Connected | Blocked   |
| 2       | Air Bags    | Blocked   | Connected |
| 3       | Exhaust     | Blocked   | Connected |

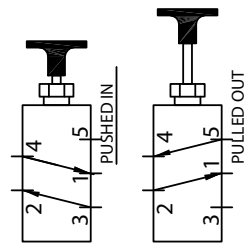
Air Flows from HCV to Air Bags

DUMP VALVE (3) Port x (2) Position - Knob OUT

| PORT No | Description | Blocked   | Connected |
|---------|-------------|-----------|-----------|
| 1       | HCV         | Blocked   | Connected |
| 2       | Air Bags    | Connected | Blocked   |
| 3       | Exhaust     | Connected | Blocked   |

Air Flows from Air Bags out of Exhaust

3rd Axle Lift/Dump Valve (p/n 322128)



LIFT VALVE (5) Port x (2) Position - Knob IN

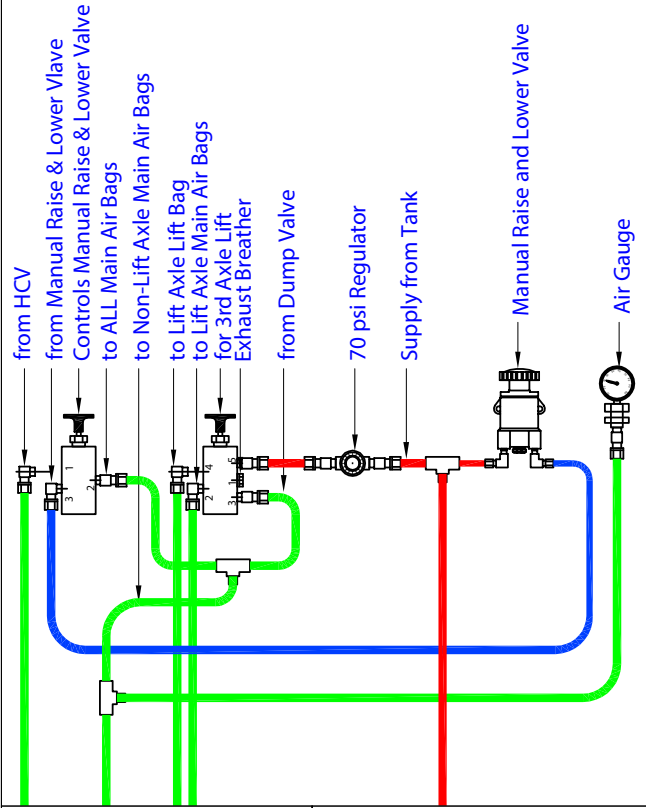
| PORT No | Description | Connected | Blocked   |
|---------|-------------|-----------|-----------|
| 3       | Dump Valve  | Connected | Blocked   |
| 2       | Air Bags    | Blocked   | Connected |
| 1       | Exhaust     | Blocked   | Connected |
| 4       | Lift Bag    | Connected | Blocked   |
| 5       | Supply      | Blocked   | Connected |

Air Flows from Dump Valve to 3rd Axle Air Bags  
Lift Air Bags is Exhausted

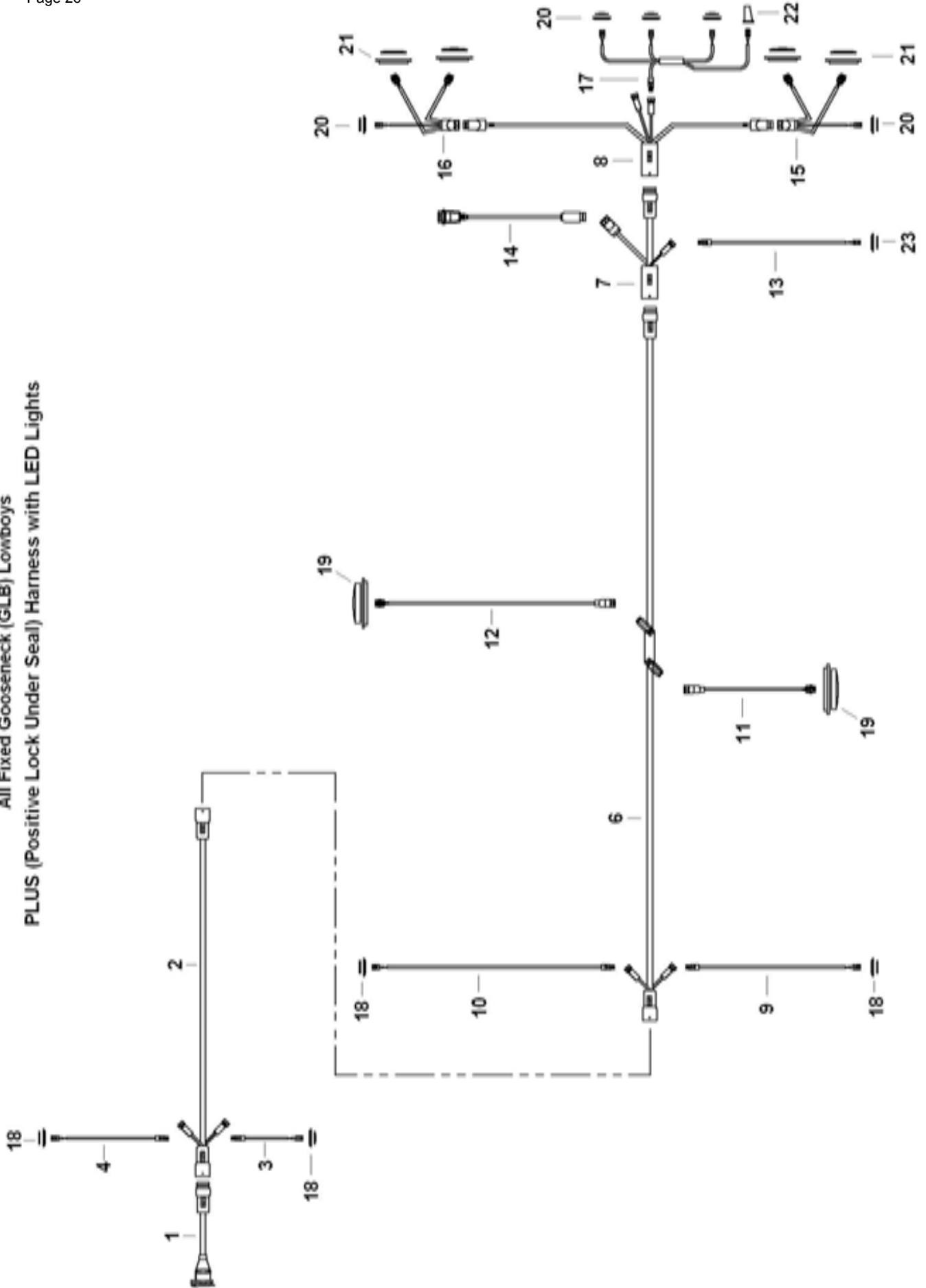
LIFT VALVE (5) Port x (2) Position - Knob OUT

| PORT No | Description | Blocked   | Connected |
|---------|-------------|-----------|-----------|
| 3       | Dump Valve  | Blocked   | Connected |
| 2       | Air Bags    | Connected | Blocked   |
| 1       | Exhaust     | Connected | Blocked   |
| 4       | Lift Bag    | Blocked   | Connected |
| 5       | Supply      | Connected | Blocked   |

3rd Axle Air Bags are Exhausted  
Air Flows from Supply to Lift Air Bag



**Eager Beaver Trailers**  
**All Fixed Gooseneck (GLB) Lowboys**  
**PLUS (Positive Lock Under Seal) Harness with LED Lights**

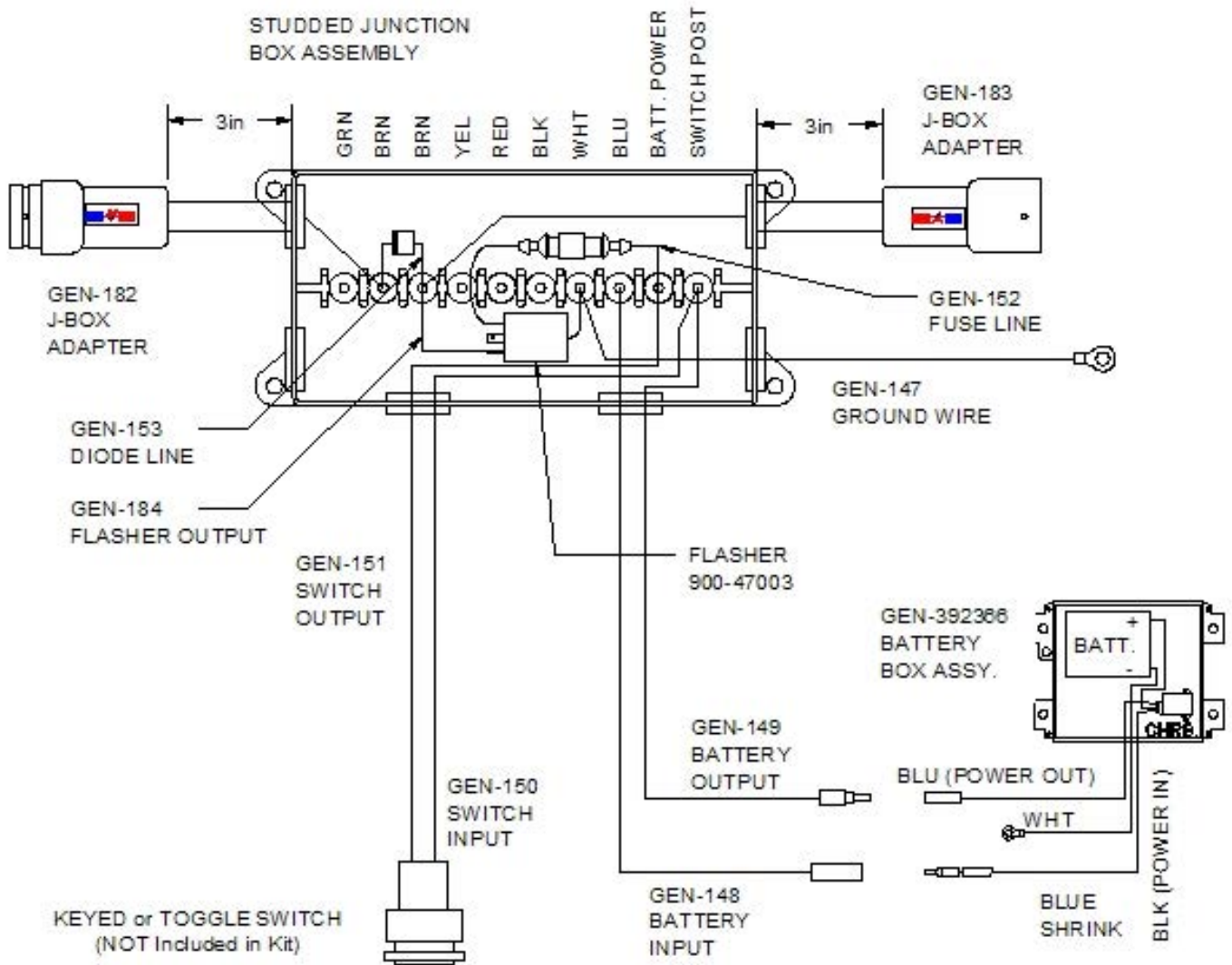


Applicable After August 2005

## LOWBOY (GLB) - PLUS HARNESS WITH LED LIGHTS PARTS LIST

| Item | Part No. | Qty | Description                            |
|------|----------|-----|--|
| 1    | 2062045  | 1   | LOWBOY SOCKET,12"                      |
| 2    | 392203   | 1   | LOWBOY GLB G/N MAIN,15'                |
| 3    | 2062251  | 1   | MARKER,2-POLE,19" "LED"                |
| 4    | 2062252  | 1   | MARKER,2-POLE,51" "LED"                |
| 5    |          |     | NOT USED                               |
| 6    | 2062058  | 1   | LOWBOY BED MAIN HARNESS                |
| 7    | 2062068  | 1   | LOWBOY ABS ADAPTER,84"                 |
| 8    | 2062061  | 1   | TAILBOARD CENTER,ALL                   |
| 9    | 2062252  | 1   | MARKER,2-POLE,51" "LED"                |
| 10   | 392557   | 1   | MARKER,2-POLE,94" "LED"                |
| 11   | 2062253  | 1   | MID TURN,"LED",4-POLE,47"              |
| 12   | 2062254  | 1   | MID TURN,"LED",4-POLE,80"              |
| 13   | 2052063  | 1   | MARKER,2-POLE,117", ABS WARNING        |
| 14   | 2062067  | 1   | ABS POWER,41"                          |
| 15   | 2062198  | 1   | C/S "LED"PGTL,AP10/LB,10"              |
| 16   | 2062199  | 1   | S/S "LED"PGTL,AP10/LB,10"              |
| 17   | 2062193  | 1   | TAILBOARD I.D.,"LED"                   |
| 18   | 2062095  | 4   | 2.5" AMBER LED MARKER LIGHT            |
| 18A  | 2057069  | 4   | GROMMET, MARKER 2.5"                   |
| 19   | 2062096  | 2   | MID TURN AMBER LED MARKER LIGHT        |
| 19A  | 2062242  | 2   | MID TURN MARKER BRACKET (WELD ON)      |
| 19B  | 2062243  | 2   | GROMMET, OBLONG MID TURN               |
| 20   | 2062093  | 5   | 2.5" RED LED MARKER LIGHT              |
| 20A  | 2057069  | 5   | GROMMET, MARKER 2.5"                   |
| 21   | 2062094  | 4   | S/T/T "LED" LIGHT                      |
| 21A  | 2057067  | 4   | GROMMET, BLACK S/T/T 4"                |
| 22   | 2057075  | 1   | LICENSE PLATE LIGHT (One Piece design) |
|      | 2057022  | 1   | LICENSE LIGHT HOUSING (2 Piece design) |
|      | 2057074  | 1   | LIGHT (for 2 Piece Housing Only)       |
| 22A  | 2057073  | 1   | GROMMET, BLACK, LICENSE LT             |
| 23   | 2061097  | 1   | ABS 2.5" MARKER LIGHT - NON LED        |
| 23A  | 2057069  | 1   | GROMMET, MARKER 2.5"                   |
|      | 2062130  | 2   | OBLONG RED REFLECTOR                   |
|      | 2062129  | 6   | OBLONG AMBER REFLECTOR                 |

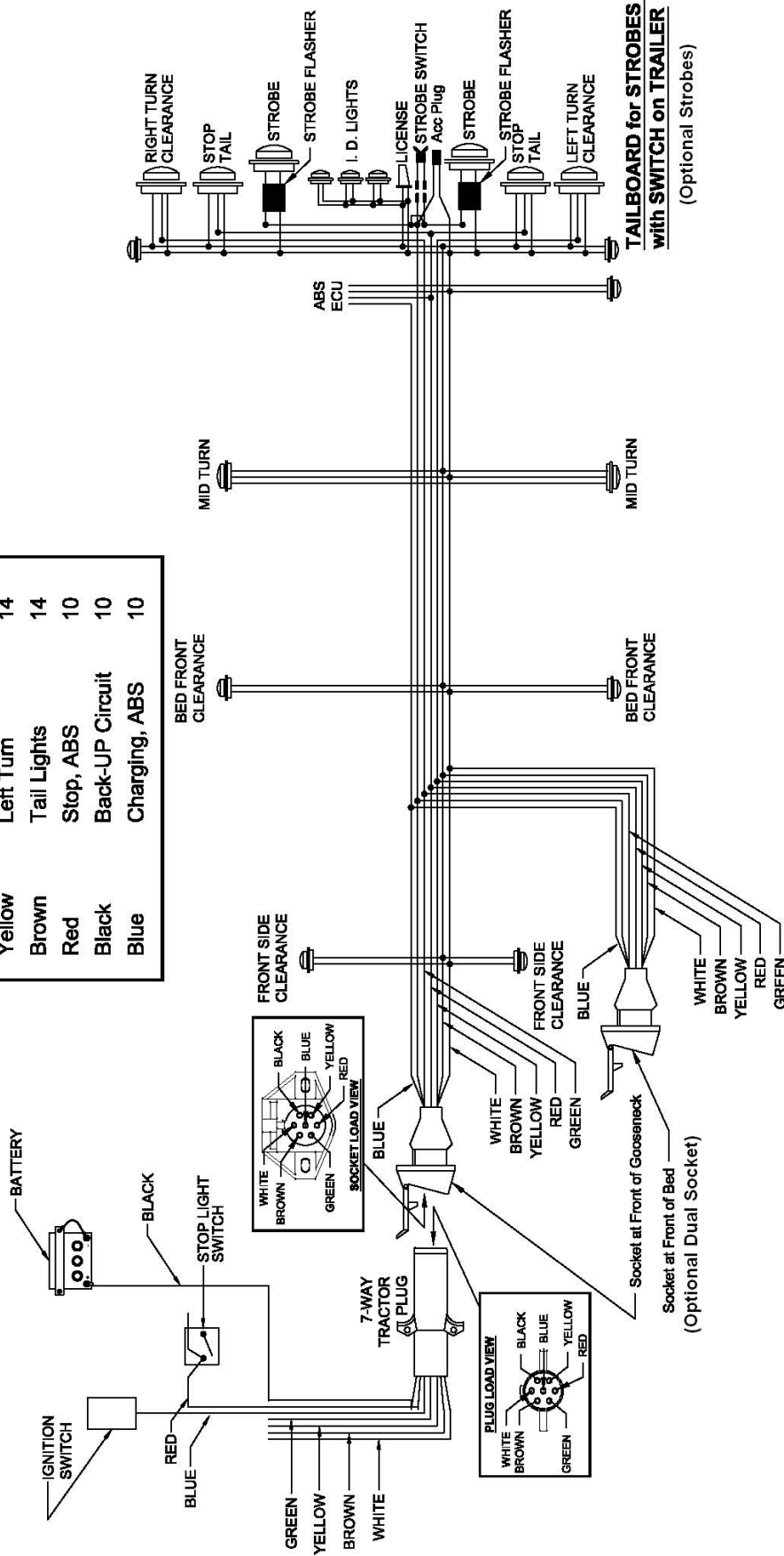
# AUXILARY FLASHER KIT (PLUS)



| Part No. | Qty. | Description                            |
|----------|------|--|
| 999405   | 1    | USA-LOWBOY FLASHER KIT PLUS            |
| 391905   | 1    | KEY SWITCH                             |
| OR       |      |  |
| 391915   | 1    | TGL SWT,CH #5582-10 ON-OFF PVC         |
| 391931   | 1    | TGL SWT MTG PL, CH #5543-15            |
| 2063153  | 1    | FLASHER KIT (PLUS) WITH KEY SWITCH BOM |
| 2063154  | 1    | FLASHER KIT (PLUS) WITH TOGGLE BOM     |

# Electrical Wiring Schematic for GLB Trailers with Dual Receptacles and Strobe Lights

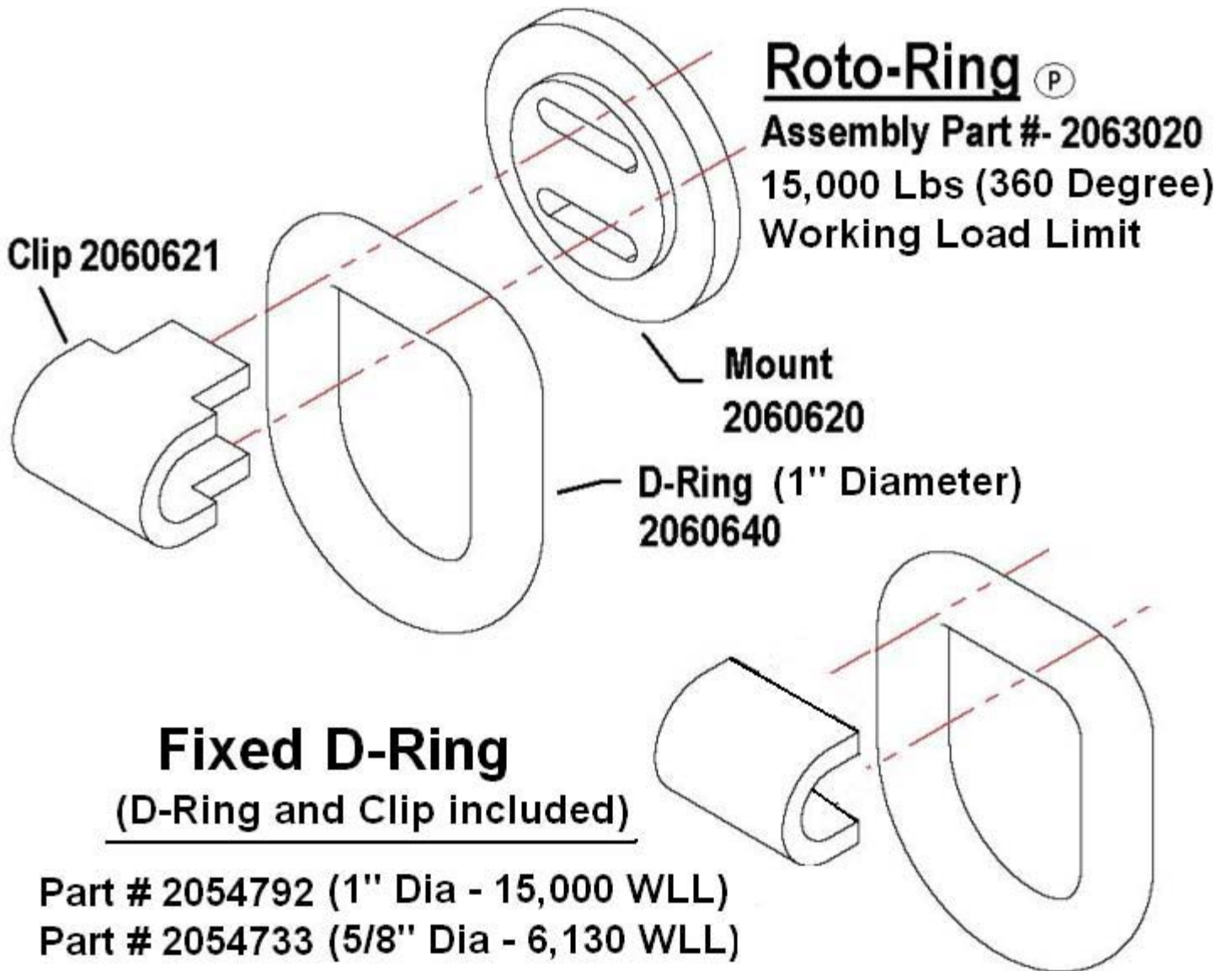
| Color  | Function        | Gauge |
|--------|-----------------|-------|
| White  | Ground          | 8     |
| Green  | Right Turn      | 14    |
| Yellow | Left Turn       | 14    |
| Brown  | Tail Lights     | 14    |
| Red    | Stop, ABS       | 10    |
| Black  | Back-Up Circuit | 10    |
| Blue   | Charging, ABS   | 10    |



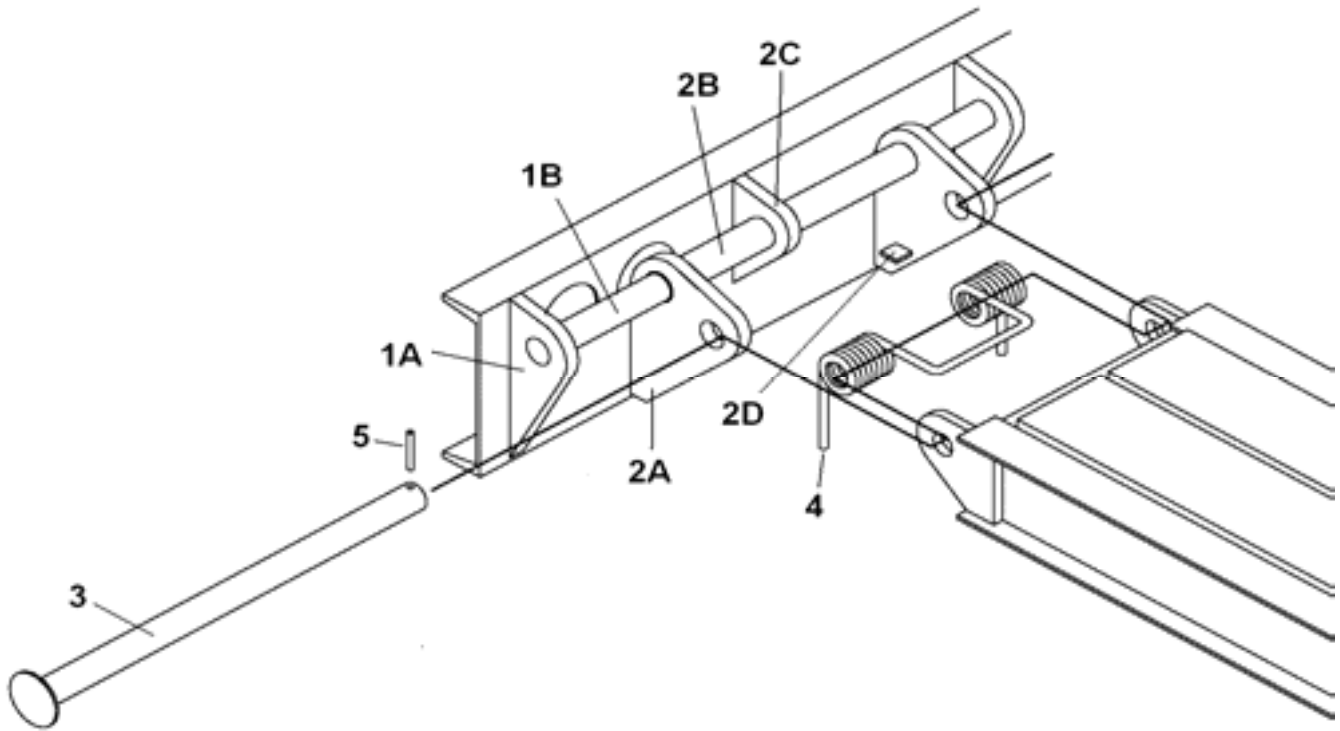
**Notes:** The **Black** wire is **NOT** normally used on trailers with ABS air brakes, but can be used for Trailers with Back-Up Lights, Strobe Lights or for Auxiliary Power. The **White** ground wire on the truck **should** be a good solid ground. The **Blue** ABS wire on the truck **should** be keyed to the ignition and fused, 20-amp. The **Red** stop light wire on the truck should be connected to the stop light switch.



Eager Beaver Co., Inc. 1000 Highway 27, Lake View, Texas, USA, 75846, 1-800-897-4146  
This wiring and load capacity information is the property of Eager Beaver Co., Inc. All Eager Beaver Trailers  
are not to be overloaded, loaded or used in any fashion without express written permission. Also, Owner  
must observe all applicable laws, regulations, codes, ordinances or standards without notice and  
without liability for any damage to the trailer.

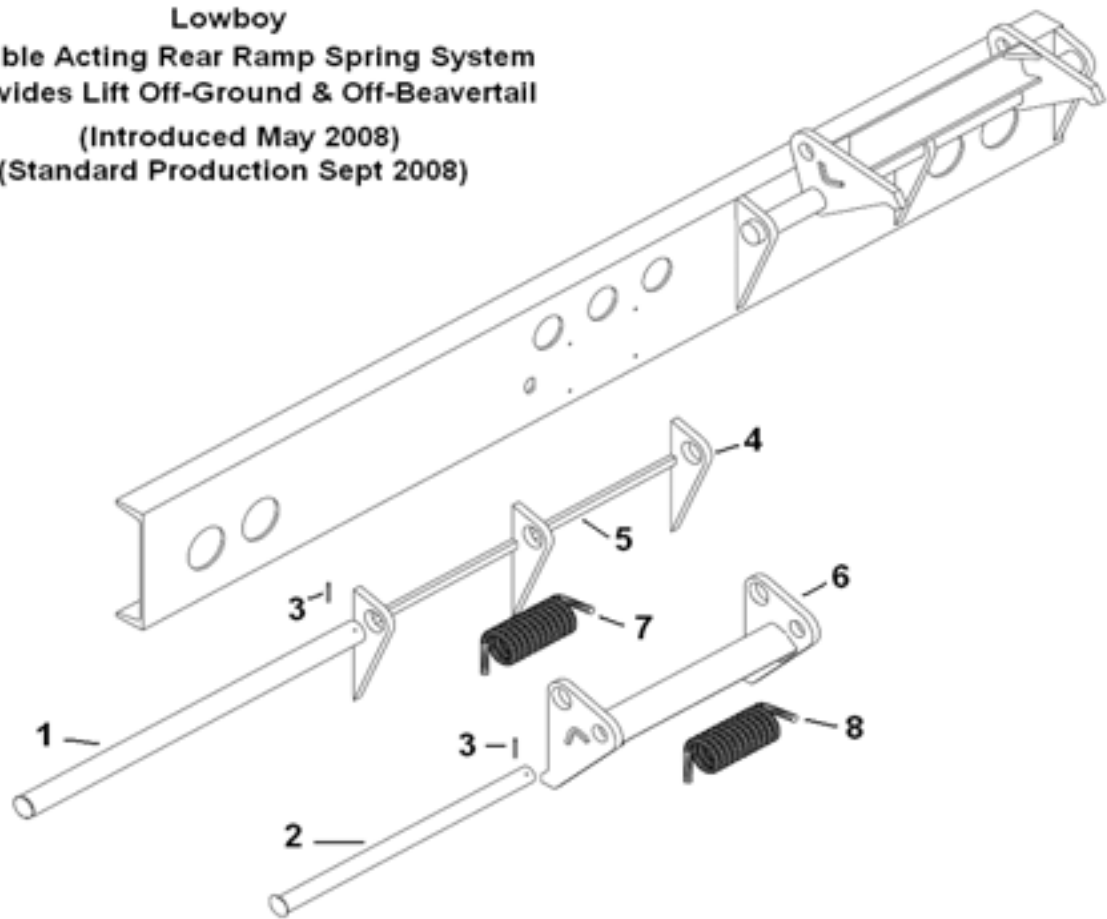


Lowboy Single Acting Rear Ramp Linkage - before September 2008



| Item # | Part No | Alt Part No | Qty | Unit | Description   |
|--------|---------|-------------|-----|------|---|
| 1      | 993880  |             |     |      | BR Complete Linkage Assy                              |
| 1A     | 143721  | 2060553     | 2   | EA   | Tailboard Fixed Linkage 1/2 X 4-5/8 X 11-3/4          |
| 1B     | 188205  | 2060866     | 1   | EA   | Tailboard Hinge Pin 2" Dia. X 32"                     |
| 1C     | 993881  | 2059403     |     |      | BR Moveable Link Assy (See Item # 2)                  |
| 2      | 993881  | 2059403     | 1   | EA   | BR Moveable Link Assy (Includes Items 2A, 2B, 2C, 2D) |
| 2A     | 143732  |             | 2   | EA   | Tailboard Movable Link 3/4 X 8.5X 11.125              |
| 2B     | 218010  |             | 1   | EA   | 2" SCH 40 X 18-3/8 SEAMLESS PIPE                      |
| 2C     | 143731  |             | 1   | EA   | Bar Link 1/2 X 4-1/2 X 8                              |
| 2D     | 168089  |             | 2   | EA   | Tailboard Link Spring Stop 1/2 X 2X 1.75              |
| 3      | 991822  | 2054640     | 1   | EA   | 1.5" Dia. x 22" Dia Ramp Bar Assy                     |
| 4      | 402001  | 2059240     | 1   | EA   | Heavy Duty Double Spring                              |
| 5      | 411601  | 2059020     | 1   | EA   | Roll Pin  |

**Lowboy**  
**Double Acting Rear Ramp Spring System**  
**Provides Lift Off-Ground & Off-Beavertail**  
 (Introduced May 2008)  
 (Standard Production Sept 2008)



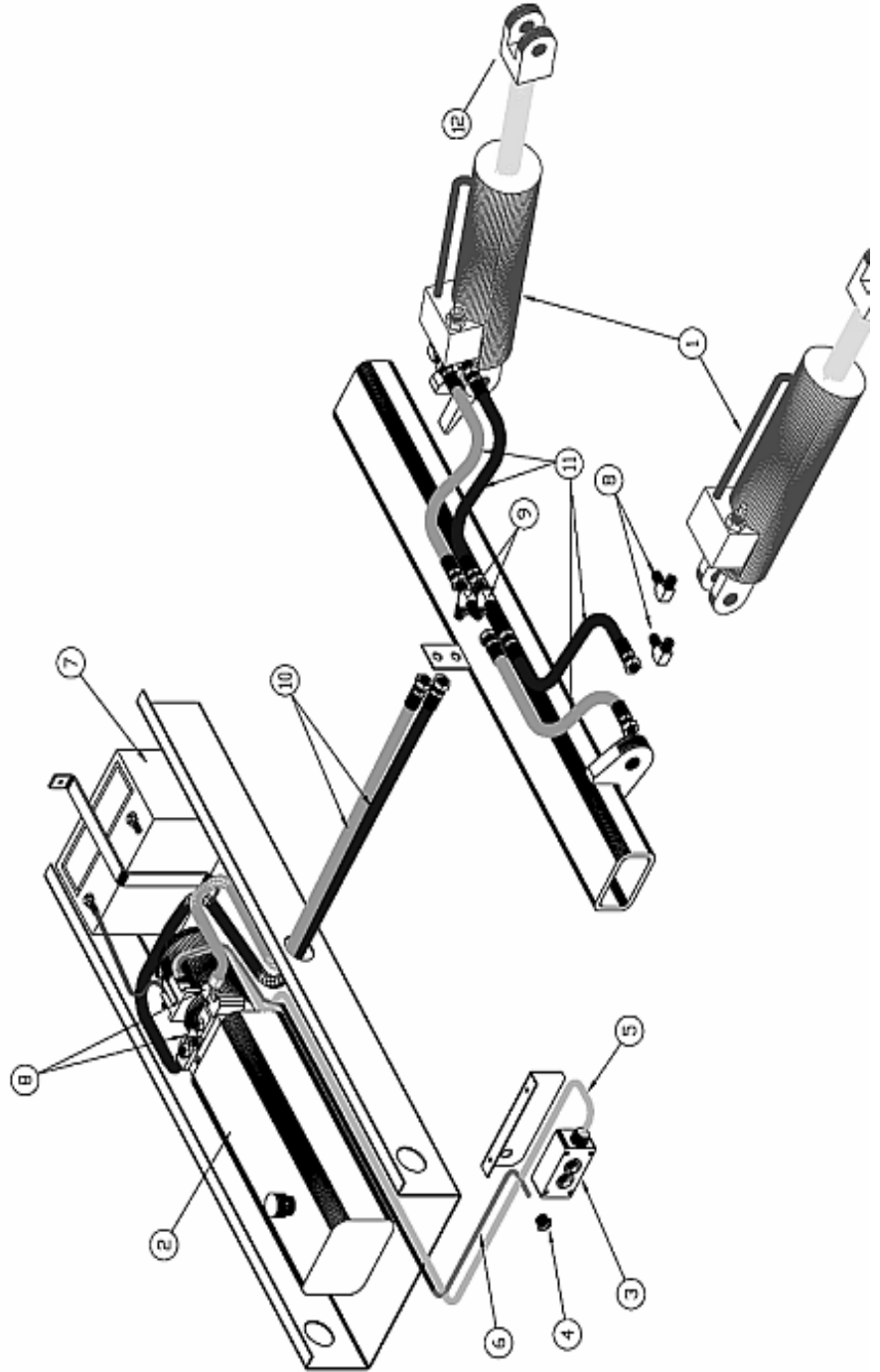
| Item # | Part No | Alt Part No | Description                             |
|--------|---------|-------------|---|
| 1      | 991877  |             | 2" Dia x 36.5" Ramp Bar                 |
| 2      | 991876  | 2063220     | 1.5" Dia x 25" Ramp Bar                 |
| 3      | 411601  | 2069020     | 5/16" Dia x 2/5" Roll Pin               |
| 4      | 173642  |             | Tailboard Fixed Linkage                 |
| 5      | 178509  |             | 1/2" x 3/4" x 17.5" Long Spring Stop    |
| 6      | 991863  |             | Rotating Linkage                        |
| 7      | 402021  |             | Off-Ground Lift Spring (1 per Ramp)     |
| 8      | 402007  | 2062134     | Off-Beavertail Lift Spring (3 per Ramp) |



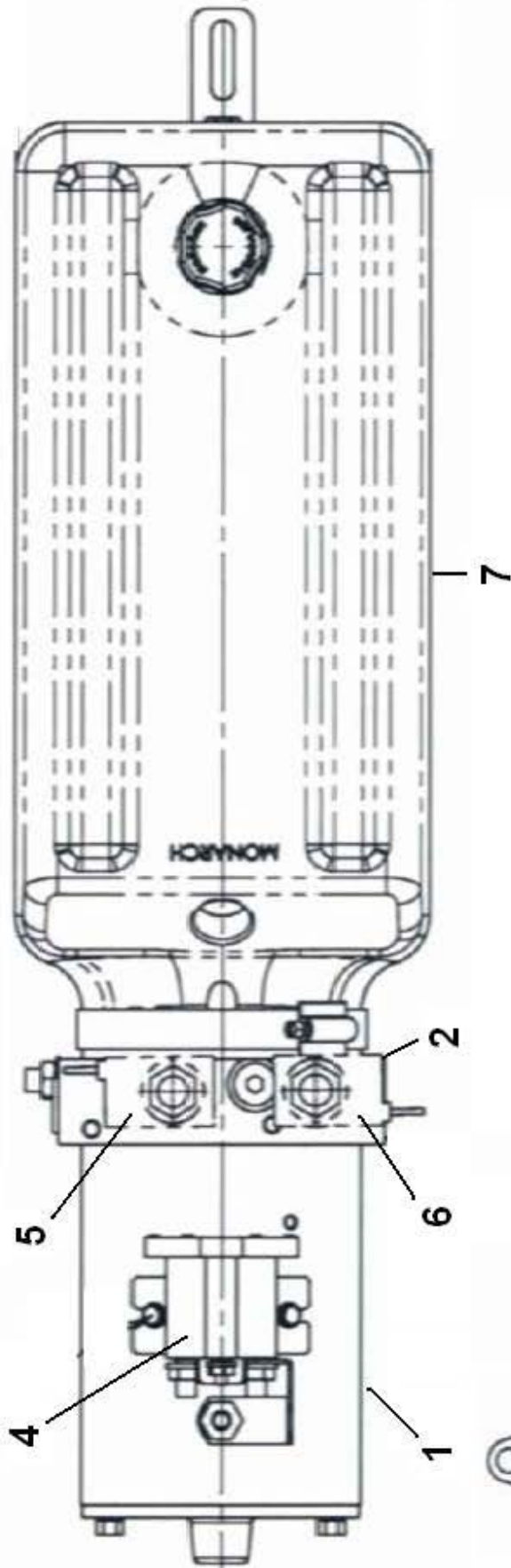
# Eager Beaver Trailers

## Electric Hydraulic Ramps with Counter Balance Lock (Since June 2007)

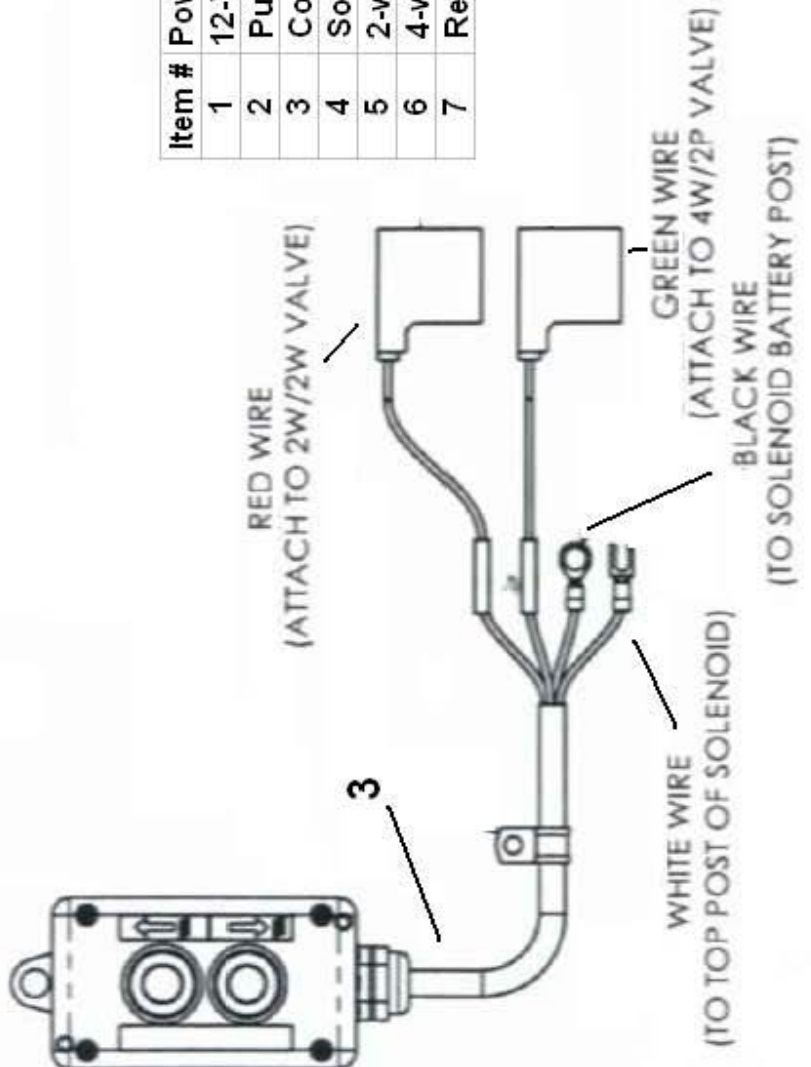
| ITEM      | DESCRIPTION                               | PN              | NOTES   |
|-----------|---|-----------------|---|
| 1         | HYDRAULIC CYLINDER                        | 371227          | 4" Bore x 11" Stroke with Counter Balance Valve |
| not shown | PACKING KIT FOR HYDRAULIC CYLINDER        | Special Order   | Prince PMCK-BH-0483                             |
| 2         | MONARCH M3551 MOTOR AND HYD PUMP          | 373002          |   |
| 3         | UP-DOWN CONTROL BOX                       | 2057694         |   |
| 4         | ON-OFF SWITCH & KEY (Waterproof)          | 391921          | Cole Hersee PN D-613 (After March 2008)         |
| 4         | ON-OFF SWITCH & KEY (Non-waterproof)      | 2062205         | Cole Hersee PN M-489 (Prior to March 2008)      |
| 5         | CONTROL BOX HARNESS                       | Special Order   |   |
| 6         | HARNESS WITH DEUTSCH DT06-6S CONNECTOR    | 392612          | Used with D-613 switch only (After March 2008)  |
| 7         | BATTERY (WET CELL) (31DS)                 | Procure Locally | 55 Amp Per hour                                 |
| 12        | CLEVIS END WITH PIN                       | 2062296         | Also used on Lowboy Stinger Cylinder            |
| not shown | SINGLE POLE PLUG - TRAILER CHARGE HARNESS | 2057672         | Cole Hersee PN 11042                            |
| not shown | SINGLE POLE RECEPTACLE - TOW VEHICLE      | 2057671         | Cole Hersee PN 11041                            |
|           | HYDRAULIC OIL                             | Procure Locally | All Purpose 10W Hydraulic Oil                   |



# Monarch Powerpack for Hydraulic Ramps



| Item # | Powerpack Component   | Monarch PN     |
|--------|-----------------------|----------------|
| 1      | 12-VDC motor          | 8111           |
| 2      | Pump                  | 12171-250      |
| 3      | Control Station       | 04334DH112-120 |
| 4      | Solenoid Switch       | 17757          |
| 5      | 2-way cartridge valve | 07193-D        |
| 6      | 4-way cartridge valve | 00455-D        |
| 7      | Reservoir             | 14168          |



## Eager Beaver Trailers 25 - 60 Ton Lowboy Miscellaneous Parts List

| <b>PART NO.</b> | <b>DESCRIPTION</b>                               |
|-----------------|--|
| 2054869         | Deck Washer                                      |
| 2059133         | Hex Head Bolt, Deck Washer, 3/8 x 2 1/2          |
| 2059134         | Nut, Deck Washer, 3/8-16                         |
| 2060659         | Truck Wiring Harness                             |
| 2058065         | Air Tank Remote Drain Valve                      |
| 2062129         | Oblong Reflector - Amber                         |
| 2062130         | Oblong Reflector - Red                           |
| 2060735         | Eager Beaver Trailers Mud Flap - White 24" x 18" |
| 2063020         | Roto-Ring™ Assembly                              |
| 2054792         | Weld-on HD Fixed D-Ring & Clip                   |

| <b>Eager<br/>Beaver</b> | <b>Manufactured After<br/>9/22/06</b> | <b>Manufactured<br/>Before 9/22/06</b> |
|-------------------------|---------------------------------------|--|
| <b>Standard Colors</b>  | <b>PPG Color Code</b>                 | <b>Dupont Color Code</b>               |
| Yellow                  | FP827                                 | H7947D                                 |
| Red                     | FP703                                 | 77968D                                 |
| Black                   | FP901                                 | 27742                                  |
| Blue                    | *                                     | 24160                                  |
| White                   | FP951                                 | 817A                                   |

\* Custom Mixed Color, No Code Assigned